

LOCKING HANDLES WITH THREADED MALE STUD

A149



Material:

Reinforced Polyamide.
Oils and grases resistant.

Surface:

Satin.

Colour:

Black (RAL 9011).

Central Cap:

grey polyamide (RAL 7035).

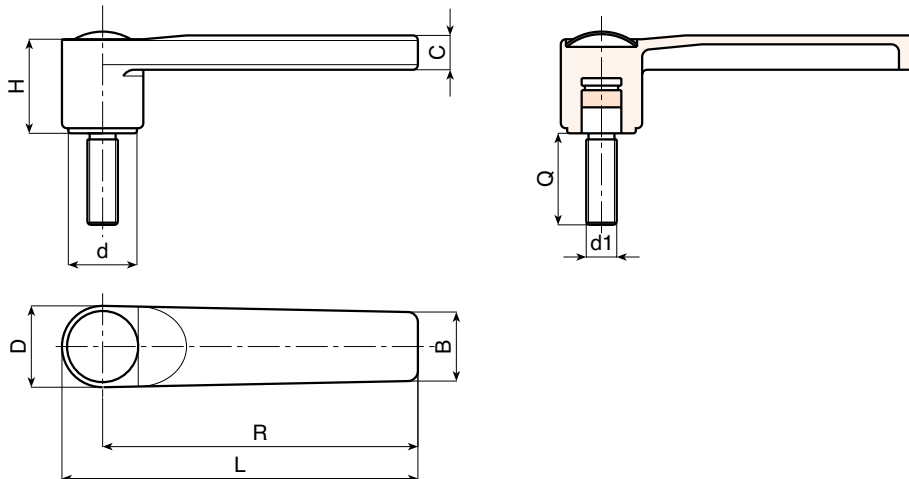
Main insert:

Zinc plated steel threaded stud.
(Thread tolerance 6g).



SPECIAL REQUESTS:

- It's possible to supply the inserts with different lengths, on request and for quantities.
- It's possible to supply the inserts with different materials, on request and for quantities.



Art.	L	R	H	D	c	B	h1	d	LM	d1 6g	Q	g
A149125.TM10X..01	139	125	37	31	13	26	35	27,5	50	M10	20-30-50	91-96-106
A149125.TM12X..01	139	125	37	31	13	26	35	27,5	50	M12	20-30-50	112-120-140
A149125.TM14X..01	139	125	37	31	13	26	35	27,5	50	M14	20-30-50	148-156-166

Enter the stud length choice in the two .. of the article code. Lengths by request with 100 pieces minimum quantity.

LM = Maximum mouldable length.

Presumable presence in the stock in %

(🏭) 90% (☺) 40% (☹) 5% (⊖)

BOTECO® - © All right reserved - www.boteco.it

Any unauthorized reproduction is strictly forbidden



BOTECO

A - 29

**A - INDEXED AND
FIXED LEVERS**

ver. AUK.05-0513