

CLAMPING LEVER WITH MALE THREADED STUD

A523



Material:

Special high resistance glass fiber reinforced technopolymer.
Oils and greases resistant.

Surface:

Satin.

Lever body and insert colour:

Black (RAL 9011).

Main insert:

Zinc plated steel threaded stud.
(Thread tolerance 6g).

Fixing screw:

Black-oxide treated steel screw with slotted head.

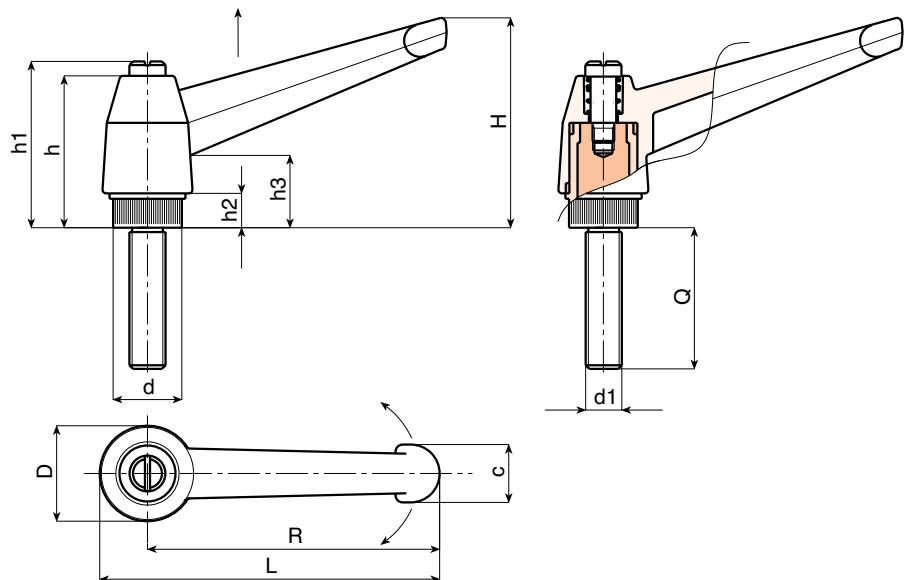
Spring:

Stainless steel spring (AISI 302).



SPECIAL REQUESTS:

- It's possible to supply the inserts with different lengths, on request and for quantities.
- It's possible to supply the inserts with different materials, on request and for quantities.
- It's possible to supply the lever body with colours as shown in the table at page A-31, on request and for quantities.



| Art. | L | R | H | D | d | c | h | h1 | h2 | h3 | LM | d1 6g | Q | g |
|-------------------|-----|-----|----|----|------|----|----|----|----|----|----|-------|----------------------------|----------------------------|
| A523043.TM04X..01 | 52 | 43 | 33 | 17 | 11,5 | 11 | 27 | 30 | 6 | 14 | 60 | M04 | 10-16-20-25-30-40 | 16-16-17-18-18-19 |
| A523043.TM05X..01 | 52 | 43 | 33 | 17 | 11,5 | 11 | 27 | 30 | 6 | 14 | 60 | M05 | 10-16-20-25-30-40 | 16-17-17-17-18-19 |
| A523043.TM06X..01 | 52 | 43 | 33 | 17 | 11,5 | 11 | 27 | 30 | 6 | 14 | 60 | M06 | 10-16-20-25-30-40 | 18-18-19-20-20-21 |
| A523065.TM06X..01 | 77 | 65 | 45 | 23 | 15 | 13 | 34 | 38 | 8 | 17 | 60 | M06 | 16-20-25-30-40 | 33-34-35-37 |
| A523065.TM08X..01 | 77 | 65 | 45 | 23 | 15 | 13 | 34 | 38 | 8 | 17 | 60 | M08 | 16-20-25-30-35 40-45-50 | 35-37-38-40-42 43-44-46 |
| A523083.TM08X..01 | 97 | 83 | 57 | 27 | 19 | 16 | 43 | 47 | 10 | 23 | 90 | M08 | 20-25-30-35 40-50-60 | 58-59-61-62 64-67-70 |
| A523083.TM10X..01 | 97 | 83 | 57 | 27 | 19 | 16 | 43 | 47 | 10 | 23 | 90 | M10 | 20-25-30-35 40-50-60 | 67-70-72-74 77-82-87 |
| A523083.TM12X..01 | 97 | 83 | 57 | 27 | 19 | 16 | 43 | 47 | 10 | 23 | 90 | M12 | 20-25-30-35 40-50-60 | 79-82-86-89 93-100-107 |
| A523104.TM10X..01 | 121 | 104 | 70 | 33 | 24 | 19 | 50 | 53 | 11 | 26 | 90 | M10 | 20-30-40-50-60 | 109-114-119-124-129 |
| A523104.TM12X..01 | 121 | 104 | 70 | 33 | 24 | 19 | 50 | 53 | 11 | 26 | 90 | M12 | 20-30-40-50-60 | 115-122-129-136-143 |
| A523104.TM14X..01 | 121 | 104 | 70 | 33 | 24 | 19 | 50 | 53 | 11 | 26 | 90 | M14 | 30-40-50-60-70 | 140-150-160-170-180 |
| A523104.TM16X..01 | 121 | 104 | 70 | 33 | 24 | 19 | 50 | 53 | 11 | 26 | 90 | M16 | 30-40-50-60-70 | 156-170-184-198-212 |

Enter the stud length choice in the two .. of the article code. Lengths by request with 100 pieces minimum quantity.

LM = Maximum mouldable length.

Presumable presence in the stock in %

(☺) 90% (☹) 40% (☹) 5% (☹)

BOTECO® - © All right reserved - www.boteco.it

Any unauthorized reproduction is strictly forbidden



BOTECO