

A524



PA6
+GF

UL94
HB



FIXED LEVER WITH FEMALE THREADED INSERT

Material:

Reinforced Polyamide.
Oils and grases resistant.

Surface:

Satin.

Colour:

Black (RAL 9011).

Main insert:

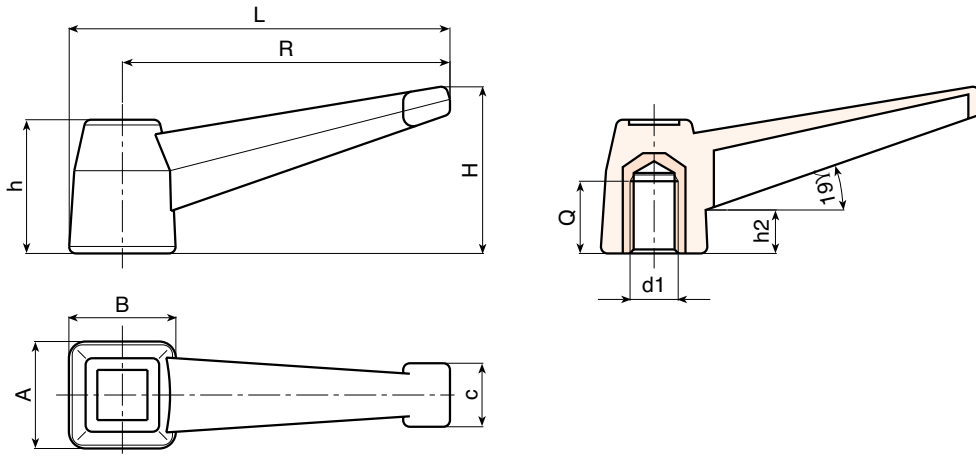
Brass insert with threaded blind bore.
(Thread tolerance 6H).

(*) Zinc plated steel insert with blind threaded bore.
(Thread tolerance 6H).



SPECIAL REQUESTS:

- It's possible to supply the inserts with different materials, on request and for quantities.



Art.	L	R	H	A	B	c	h	h2	d1 6H	Q	g
A52498.TM1001	112	96	51	32	32	19	40	12	M12	19	64
A52498.TM1201	112	96	51	32	32	19	40	12	M14	19	68
A52498.TM1401	112	96	51	32	32	19	40	12	(*) M16	16	80