

A572



INDEXED CLAMPING LEVER WITH 90° ARM AND FEMALE THREADED INSERT

Material:

Special high resistance glass fiber reinforced technopolymer. Oils and greases resistant.

Surface:

Satin.

Lever body and insert colour:

Black (RAL 9011).

Main insert:

Zinca plated steel insert with threaded blind bore. (Thread tolerance 6H).

Vite di fissaggio:

Vite in acciaio brunito con testa a caccavite

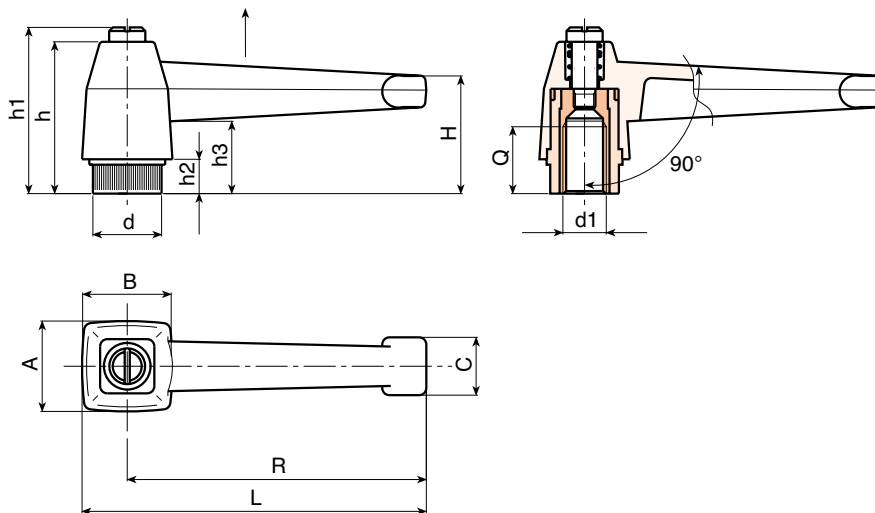
Spring:

Stainless steel spring (AISI 302).



SPECIAL REQUESTS:

- It's possible to supply the inserts with different materials, on request and for quantities.
- It's possible to supply the lever body with colours as shown in the table at page A-31 on request and for quantities.



| Art. | L | R | H | A | B | c | h | h1 | h2 | h3 | d1 6H | Q | g |
|----------------|----|----|------|----|----|----|----|----|----|----|-------|----|----|
| A572083.TM0801 | 94 | 83 | 33,5 | 25 | 25 | 16 | 42 | 47 | 10 | 21 | M08 | 17 | 52 |
| A572083.TM1001 | 94 | 83 | 33,5 | 25 | 25 | 16 | 42 | 47 | 10 | 21 | M10 | 17 | 48 |
| A572083.TM1201 | 94 | 83 | 33,5 | 25 | 25 | 16 | 42 | 47 | 10 | 21 | M12 | 16 | 48 |