

A582 CIN



"EUROMODEL" INDEXED CLAMPING LEVER WITH PLASTIC PUSH BUTTON AND STAINLESS STEEL THREAD INSERT

INOX

Material:

Special high resistance glass fiber reinforced technopolymer. Oils and greases resistant.

Surface:

Satin.

Lever body and insert colour:

Black (RAL 9011).

Main insert:

Stainless steel insert with threaded blind bore. (Aisi 303) (Thread tolerance 6H).

Push Button:

Push button in black polyamide (RAL 9011).

Spring:

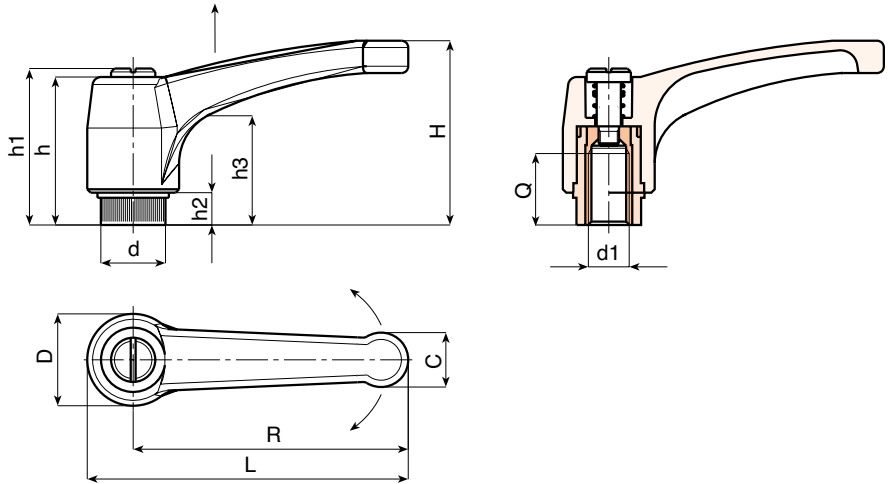
Stainless steel spring (AISI 302).

Alternative colours for lever body and button:

- Orange (RAL 2004 cod. 02)
- Blue (RAL 5015 cod. 07)
- Yellow (RAL 1021 cod. 10)
- Red (RAL 3000 cod. 16)
- Green (RAL 6024 cod. 17)
- Grey (RAL 7035 cod. 13)
- Black (RAL 9011 cod. 01)

SPECIAL REQUESTS:

- It's possible to supply the lever body an button with colours as shown in the table at page A-31 on request and for quantities.



Art.	L	R	H	D	d	c	h	h1	h2	h3	d1 6H	Q	g
A580043.TM0401CIN	51	43	33	17	11,5	9	29	32	6	18	M04	8	15
A580043.TM0501CIN	51	43	33	17	11,5	9	29	32	6	18	M05	10	15
A580043.TM0601CIN	51	43	33	17	11,5	9	29	32	6	18	M06	10	14
A580052.TM0601CIN	63	52	41	22	15	12	36	40	8	23	M06	14	31
A580052.TM0801CIN	63	52	41	22	15	12	36	40	8	23	M08	14	30
A580052.TM1001CIN	63	52	41	22	15	12	36	40	8	23	M10	14	30
A580065.TM0601CIN	76	65	43	23	15	13	36	40	8	24	M06	14	36
A580065.TM0801CIN	76	65	43	23	15	13	36	40	8	24	M08	14	35
A580065.TM1001CIN	76	65	43	23	15	13	36	40	8	24	M10	14	35
A580080.TM0801CIN	93	80	54	27	19	15,5	44	48	8,5	29	M08	19	55
A580080.TM1001CIN	93	80	54	27	19	15,5	44	48	8,5	29	M10	19	54
A580080.TM1201CIN	93	80	54	27	19	15,5	44	48	8,5	29	M12	19	54
A580094.TM0801CIN	109	94	56	30	19	18	45	49	9	30	M08	19	80
A580094.TM1001CIN	109	94	56	30	19	18	45	49	9	30	M10	19	81
A580094.TM1201CIN	109	94	56	30	19	18	45	49	9	30	M12	19	83
A580108.TM1201CIN	125	108	64	34	24	21	51	55	10	35	M12	22	144
A580108.TM1401CIN	125	108	64	34	24	21	51	55	10	35	M14	21	146
A580108.TM1601CIN	125	108	64	34	24	21	51	55	10	35	M16	23	149