

# "EUROMODEL" INDEXED CLAMPING LEVER WITH PLASTIC PUSH BUTTON AND STAINLESS STEEL STUD

## A583 CIN



### Material:

Special high resistance glass fiber reinforced technopolymer. Oils and greases resistant.

## INOX

### Surface:

Satin.

### Lever body and insert colour:

Black (RAL 9011).

### Main insert:

Stainless steel threaded stud (AISI 304).  
(Thread tolerance 6g).

### Push Button:

Push button in black polyamide (RAL 9011).

### Spring:

Stainless steel spring (AISI 302).

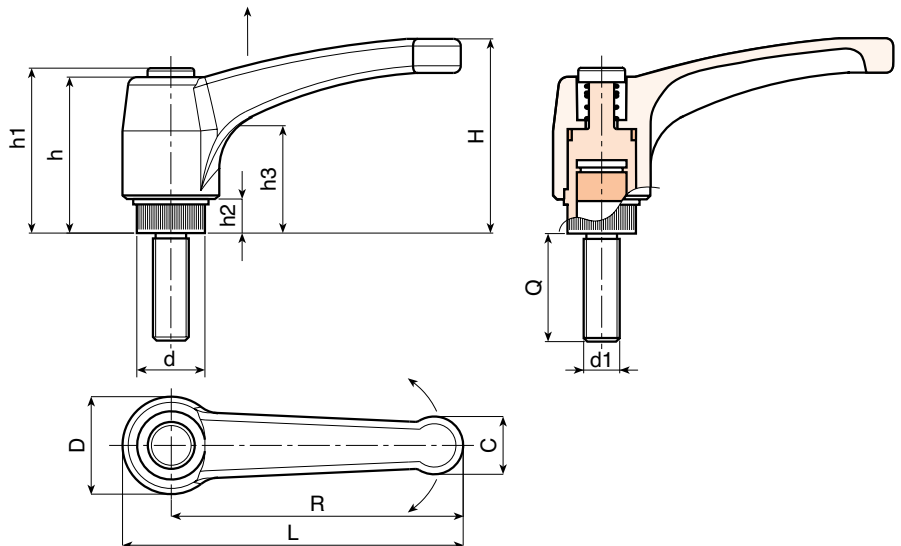
### Alternative colours for lever body and button:

Orange	(RAL 2004 cod. 02)
Blue	(RAL 5015 cod. 07)
Yellow	(RAL 1021 cod. 10)
Red	(RAL 3000 cod. 16)
Green	(RAL 6024 cod. 17)
Grey	(RAL 7035 cod. 13)
Black	(RAL 9011 cod. 01)



### SPECIAL REQUESTS:

- It's possible to supply the inserts with different lengths, on request and for quantities.
- It's possible to supply the lever body and button with colours as shown in the table at page A-31 on request and for quantities.



Art.	L	R	H	D	d	c	h	h1	h2	h3	LM	d1 6g	Q	g
A583043.TM04X..01CIN	51	43	33	17	11,5	9	29	32	6	18	75	M04	16-20-30	12-13-14
A583043.TM05X..01CIN	51	43	33	17	11,5	9	29	32	6	18	75	M05	16-20-30	13-14-15
A583043.TM06X..01CIN	51	43	33	17	11,5	9	29	32	6	18	75	M06	16-20-30-40	17-18-20-22
A583052.TM06X..01CIN	63	52	41	22	15	12	36	40	8	23	90	M06	16-20-30-40	25-26-28-30
A583052.TM08X..01CIN	63	52	41	22	15	12	36	40	8	23	90	M08	16-20-30-40	27-28-31-33
A583052.TM10X..01CIN	63	52	41	22	15	12	36	40	8	23	90	M10	16-20-30-40	33-35-40-45
A583065.TM06X..01CIN	76	65	43	23	15	13	36	40	8	24	90	M06	16-20-30-40	28-29-31-32,5
A583065.TM08X..01CIN	76	65	43	23	15	13	36	40	8	24	90	M08	16-20-30-40	33-35-38-41
A583065.TM10X..01CIN	76	65	43	23	15	13	36	40	8	24	90	M10	16-20-30-40	39-41-46-51
A583080.TM08X..01CIN	93	80	54	27	19	15,5	44	48	8,5	29	90	M08	16-20-30-40-50	46-49-51-54-57
A583080.TM10X..01CIN	93	80	54	27	19	15,5	44	48	8,5	29	90	M10	20-30-40-50	56-61-66-71
A583080.TM12X..01CIN	93	80	54	27	19	15,5	44	48	8,5	29	90	M12	20-30-40-50	68-75-82-89
A583094.TM08X..01CIN	109	94	56	30	19	18	45	49	9	30	90	M08	20-30-40-50	52-55-58-61
A583094.TM10X..01CIN	109	94	56	30	19	18	45	49	9	30	90	M10	20-30-40-50	63-68-73-78
A583094.TM12X..01CIN	109	94	56	30	19	18	45	49	9	30	90	M12	20-30-40-50	75-82-89-96
A583108.TM12X..01CIN	125	108	64	34	24	21	51	55	10	35	100	M12	20-30-40-50	103-110-117-124
A583108.TM14X..01CIN	125	108	64	34	24	21	51	55	10	35	100	M14	20-30-40-50	109-116-123-136
A583108.TM16X..01CIN	125	108	64	34	24	21	51	55	10	35	100	M16	20-30-40-50	127-139-151-163

Enter the stud length choice in the two .. of the article code. Lengths by request with 50 pieces minimum quantity.

LM = Maximum mouldable length.

Availability of stock in %

(☺) 90% (☹) 40% (☹) 5% (☹)

BOTECO® - © All right reserved - www.boteco.it  
Any unauthorized reproduction is strictly forbidden



### A - INDEXED AND FIXED LEVERS