

ART. A592 CIN

ZAMAK ALLOY INDEXED CLAMPING LEVER WITH THREADED STAINLESS STEEL INSERT

MATERIAL:
Die cast Zamak lever body (zinc, aluminium, copper alloy).

INOX

SURFACE:
Smooth. Epoxy powder painted finish.

COLOURS:
Shiny black (RAL 9005 cod. 01).
Matt black (RAL 9005 cod. 20).
Orange (RAL 2004 cod. 02).
Red (RAL 3000 cod. 16).
Metalized grey (RAL 9006 cod. 83).
Grey (RAL 7031 cod. 80).
Blue (RAL 5015 cod. 07).

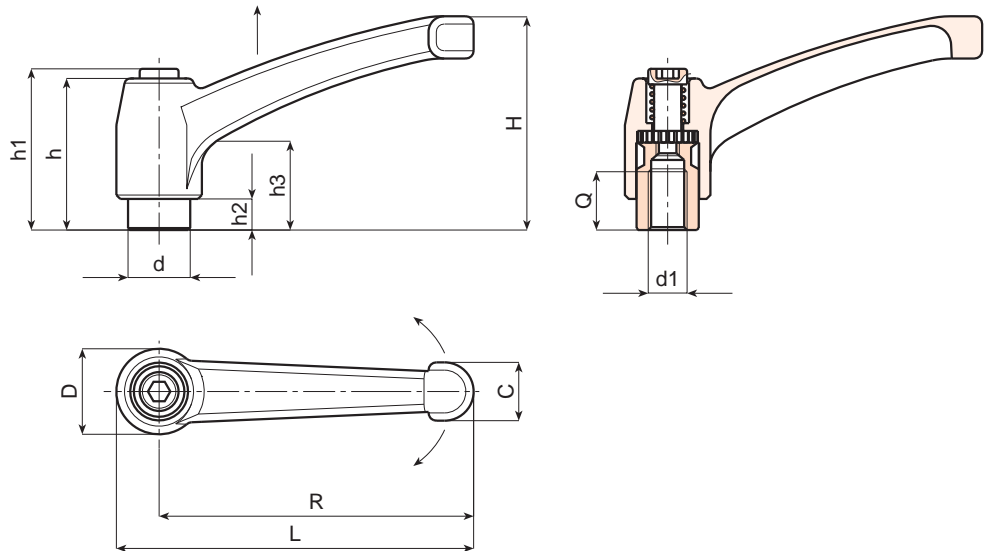
MAIN INSERT:
Stainless steel insert with female threaded hole (AISI 303).

FIXING SCREW:
Stainless steel socket head screw (AISI 304).

SPRING:
Stainless steel spring (AISI 302).

SPECIAL REQUESTS:

- None.



Art.	L	R	H	D	d	c	h	h1	h2	h3	d1	Q	Weight (gr)
A592043.ZM0501 CIN	50	43	30	14	10	9	26	30	5	14	M05	9	30
A592043.ZM0601 CIN	50	43	30	14	10	9	26	30	5	14	M06	9	28
A592065.ZM0601 CIN	75	65	45	19	14	13	32	34	7	14	M06	10	76
A592065.ZM0801 CIN	75	65	45	19	14	13	32	34	7	14	M08	10	76
A592065.ZM1001 CIN	75	65	45	19	14	13	32	34	7	14	M10	9	73
A592080.ZM0801 CIN	91	80	57	22	16	16	40	42	8	16	M08	14	134
A592080.ZM1001 CIN	91	80	57	22	16	16	40	42	8	16	M10	13	130
A592080.ZM1201 CIN	91	80	57	22	16	16	40	42	8	16	M12	12	128
A592094.ZM1201 CIN	107	94	65	26	20	18	47	50	10,5	19	M12	20	195
A592094.ZM1401 CIN	107	94	65	26	20	18	47	50	10,5	19	M14	20	190
A592108.ZM1401 CIN	123	108	75	30	23	20	54	56	12	23	M14	26	298
A592108.ZM1601 CIN	123	108	75	30	23	20	54	56	12	23	M16	26	284



BOTECA