

B224



PA6
+GF

UL94
HB



FIXED HANDLE WITH THROUGH HOLE

Material:

Reinforced polyamide.
Oils and greases resistant.

Surface:

Satin.

Colour:

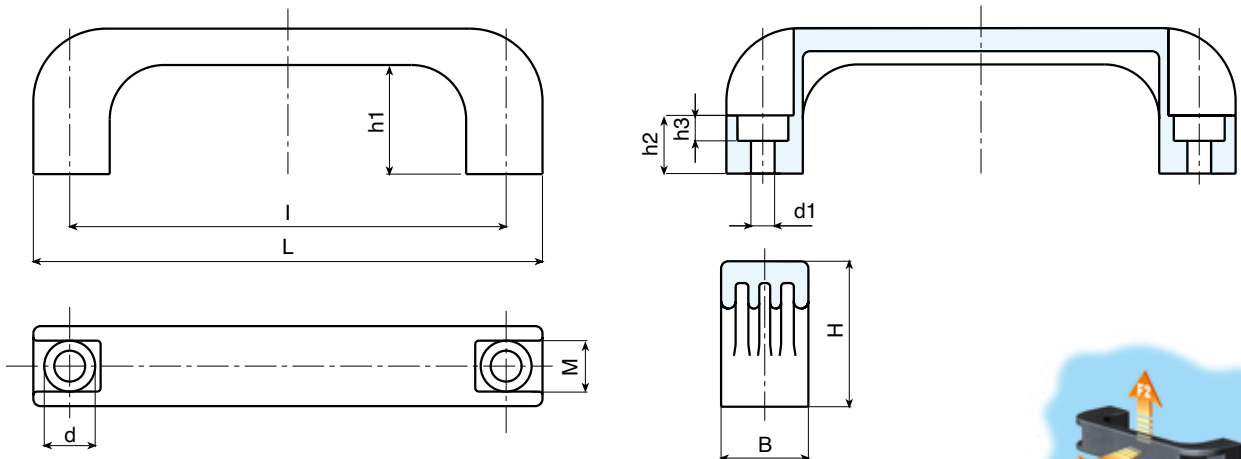
Black (RAL 9011).

Hole:

Smooth right through hole obtained by moulding the plastic.

SPECIAL REQUEST:

- It is possible to supply colours as shown in the table at pag. B-22, on request and for quantities.



art.	L	l	B	M	H	h1	h2	h3	d	d1	g	F1 (N)	F2 (N)
B224094.TG6.501PP	110	94	21	13	37	29	13	7	11	6,5	22	2500	1250
B224117.TG6.501PP	140	117	24	13	40	29	15	7	14	6,5	43	4400	3000
B224117.TG8.501PP	140	117	24	13	40	29	15	9	14	8,5	39	4400	3000
B224120.TG6.501PP	140	120	24	14	40	29	15	7	14	6,5	42	4800	3200
B224120.TG8.501PP	140	120	24	14	40	29	15	9	14	8,5	39	4800	3200
B224132.TG8.501PP	151	132	26	14	43	31	16	9	14	8,5	63	3400	3200
B224180.TG8.501PP	200	180	28	17	51	39	21	9	14,5	8,5	74	4000	3000
B224235.TG10.501PP	262	235	32	20	53	40	21	11	17	10,5	123	3800	3000