

INCLINED HANDLE

B227



Material:

Reinforced polypropylene.

Surface:

Satin.

Colour:

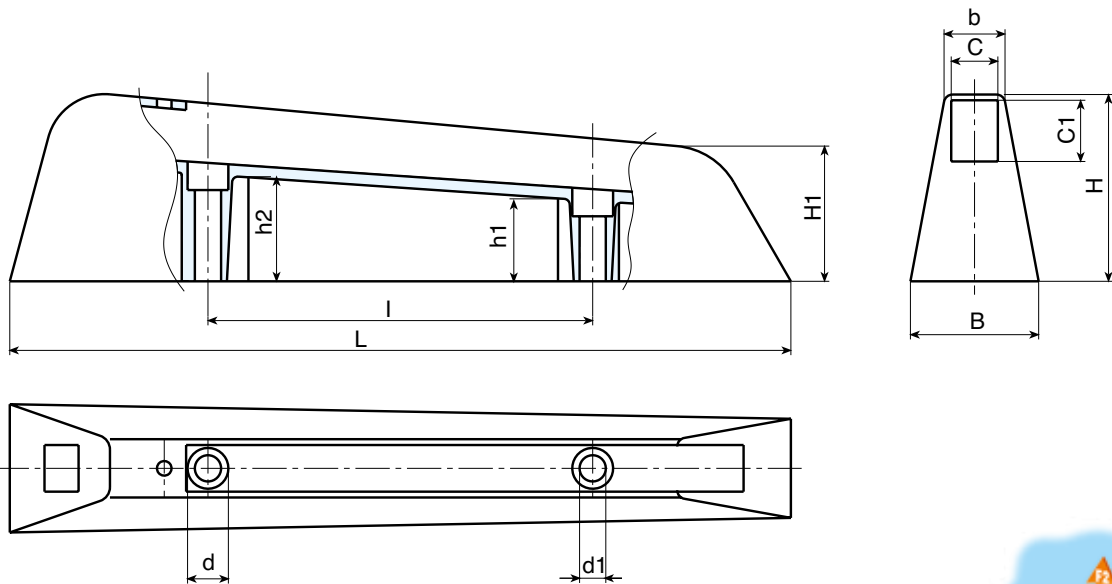
Black (RAL 9011).

Hole:

Smooth right through hole obtained by moulding the plastic.

SPECIAL REQUEST:

- None.



art.	L	I	B	b	H	H1	h1	h2	C	C1	d	d1	g	F1 (N)
B227132.TG08.501PP	268	132	44	20	65	46	26	34	15,5	20,5	14	8,5	106	1540

Presumable presence in the stock in %

(☺) 90% (☹) 40% (⊖) 5% (⊕)

BOTECO® - © All right reserved - www.boteco.it

Any unauthorized reproduction is strictly forbidden



BOTECO