

"EUROMODEL" BRIDGE HANDLE WITH THROUGH HOLE AND CAP

B324

+135°
-25°

PA6
+GF

UL94
HB

ROHS

PROTECT
MODEL

Material:

Reinforced polyamide.
Oils and greases resistant.

Surface:

Satin.

Colour:

Black (RAL 9011).

Central Cap:

Grey polyamide (RAL 7035 cod. 13).

Alternative Cap Colour:

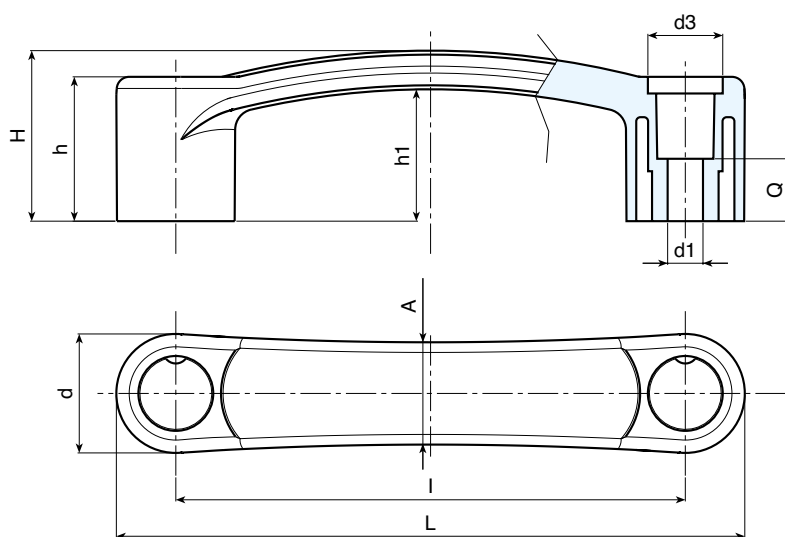
Orange (RAL 2004 cod. 02)
Blue (RAL 5015 cod. 07)
Yellow (RAL 1021 cod. 10)
Red (RAL 3000 cod. 16)
Green (RAL 6024 cod. 17)
Black (RAL 9011 cod. 01)

Hole:

Smooth right through hole obtained by moulding the plastic.

SPECIAL REQUEST:

- It is possible to supply colours as shown in the table at pag. B-22, on request and for quantities.



art.	L	I	H	h	h1	A	d	d3	d1	Q	g	F1 (N)	F2 (N)
B324094.TG06.501..	118	94	37	33	30	21	24	16	6,5	14	37	2500	2000
B324117.TG06.501..	145	117	40,5	34	31,5	24	28	18	6,5	15	58	3700	3500
B324117.TG08.501..	145	117	40,5	34	31,5	24	28	18	8,5	15	57	3700	3500
B324120.TG06.501..	148	120	40,5	34	31,5	24	28	18	6,5	15	60	2900	3500
B324120.TG08.501..	148	120	40,5	34	31,5	24	28	18	8,5	15	59	2900	3500
B324132.TG08.501..	160	132	43	36,5	34	24	28	18	8,5	15	91	3200	3200

Enter the colour code in the two empty spaces . . . of the cap code (grey standard)

Presumable presence in the stock in %

(🏠) 90% (😊) 40% (😐) 5% (😞)

BOTECO® - © All right reserved - www.boteco.it

Any unauthorized reproduction is strictly forbidden



B - HANDLES