

B328

+135°
-30°

PA6
+G.F.

UL94
HB

RoHS
COMPLIANT

CURVED SURFACE ADAPTOR FOR B324 "EUROMODEL" HANDLE WITH THROUGH HOLE

Materials:

Reinforced polyamide.
Resistant to oils and greases.

Surface finish:

Satin.

Colour:

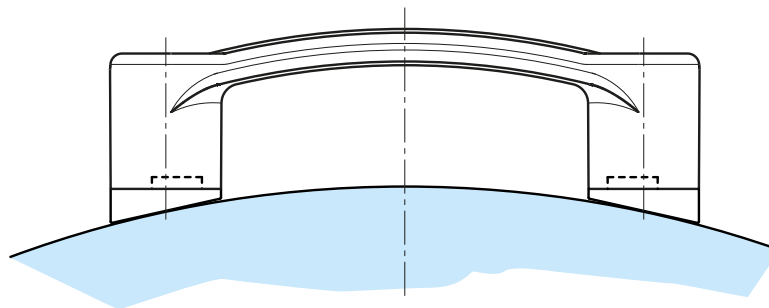
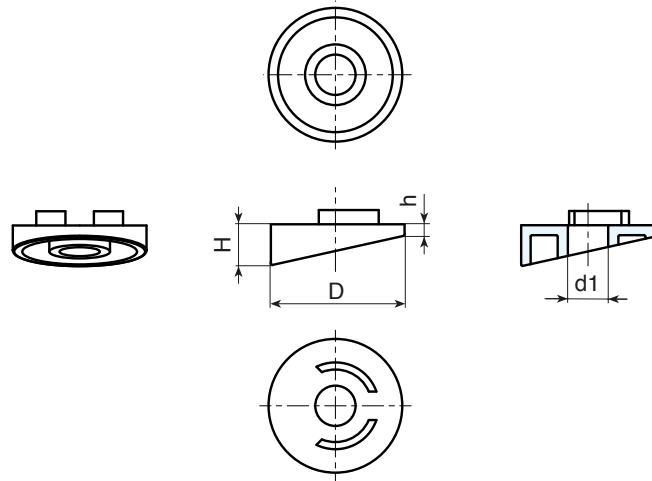
Black (RAL 9011).

Hole:

Smooth through hole obtained by moulding the plastic.

Special requests:

- Upon request and for special quantities available in the colours indicated in the chart [page 805].



art.	D	H	h	d1	g
B328120.TG08.501	28	9	3	6.5	3