

D206

D209-D210-D211-BASE



2 SPOKE CONTROL HANDWHEEL WITH REVOLVING HANDLE

Material:

Reinforced and stabilised polyamide.
Oils and greases resistant.

Surface: Satin.

Colour: Black (RAL 9011).

Central Cap:

Grey polyamide (RAL 7035 cod. 13).

Alternative Cap Colour:

Orange (RAL 2004 cod. 02)
Blue (RAL 5015 cod. 07)
Yellow (RAL 1021 cod. 10)
Red (RAL 3000 cod. 16)
Green (RAL 6024 cod. 17)
Black (RAL 9011 cod. 01)

Main Insert:

Zinc plated steel insert with smooth through-hole (H11 tolerance).

Side Insert:

Brass right through threaded bush.

Side handle:

Revolving handle M144 (pag. M-08).

Hub:

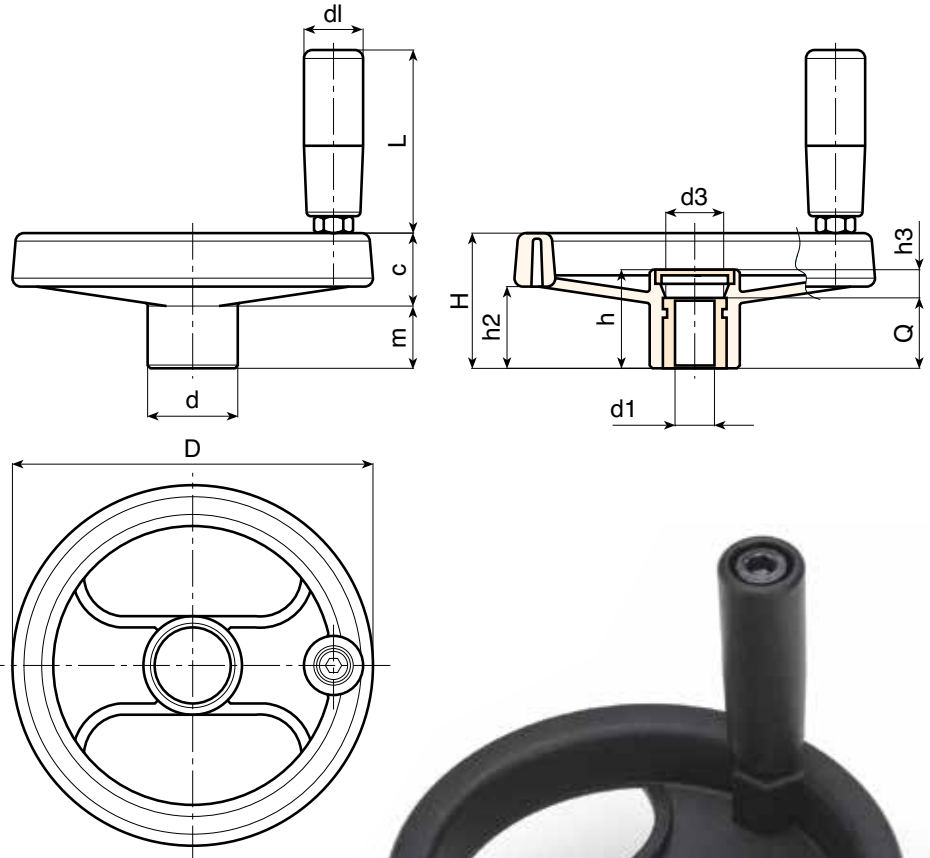
Solid hub.

(*) Hollow underneath hub.

For fixing system, or execution of keyway or square holes, please refer to the technical notes attached to the catalogue.

SPECIAL REQUEST:

- It's possible to supply the inserts with d1 bore by customer design, on request and for quantities.
- It's possible to supply the inserts in different material and treatment-finishes, on request and for quantities.
- It's possible to supply the products with colours (reduced range) as shown in the table at page D-19, on request and for quantities.



Version with zinc plated insert and H11 tolerance bore

Art.	D	H	h	d	m	c	h2	h3	d3	dl	L	Dm	d1 H11	Q	g
D206080.TP0501P	80	34	26	24,5	16	18	20	6	16	20	56	12	05	20	125
D206100.TP0501P	99	43	33	28	20	23	26,5	9	16	20	56	16	05	24	182
D206130.TD0501P	129	50	36	32	21	29	32	12	26	21	65	18	05	24	296
D206160.TD0801P	159	57	40,5	40	22	35	34	8,5	26	23	76	22	08	32	458
D206200.TD0801P	198	61,5	39,5	51	17,5	44	33	7,5	26	23	76	22	(*) 08	32	700
D206250.TD0801P	252	70	47	55,5	24	46	39	11	24	25	86	28	(*) 08	36	1030
D206350.TD0801P	346	80	49,5	67,5	24	56	43,5	17,5	35	25	86	30	(*)(+) 08	32	1640

Attention: bore d1 (H11 tolerance) could be produced by request, with 50 pieces minimum.

Dm = It's possible to increase the hole, by boring, until Dm (enlarge).

Version with black-oxide insert and H7 tolerance bore

Art.	D	H	h	d	m	c	h2	h3	d3	dl	L	Dm	d1 H7	Q	g
D206080.TD..01PZB	80	34	26	24,5	16	18	20	6	16	20	56	12	A.R.	20	125
D206100.TD..01PZB	99	43	33	28	20	23	26,5	9	16	20	56	16	A.R.	24	182
D206130.TD..01PZB	129	50	36	32	21	29	32	12	26	21	65	18	A.R.	24	296
D206160.TD..01PZB	159	57	40,5	40	22	35	34	8,5	26	23	76	22	A.R.	32	458
D206200.TD..01PZB	198	61,5	39,5	51	17,5	44	33	7,5	26	23	76	22	(*) A.R.	32	700
D206250.TD..01PZB	252	70	47	55,5	24	46	39	11	24	25	86	28	(*) A.R.	36	1030
D206350.TD..01PZB	346	80	49,5	67,5	24	56	43,5	17,5	35	25	86	30	(*)(+) A.R.	32	1640

Attention: replace the two places in the code .. with the hole diameter required - 50 pieces minimum.

Dm = It's possible to increase the hole, by boring, until Dm (enlarge). **A.R.** = By request

2 SPOKE CONTROL HANDWHEEL WITH REVOLVING HANDLE M145

Art.	D	dl	L	d1 H11	△ g
D209080.TP0501P	80	20	55	05	126
D209100.TP0501P	99	20	55	05	185
D209130.TD0501P	129	23	66	05	314
D209160.TD0801P	159	25	76	08	467
D209200.TD0801P	198	25	87	08	712
D209250.TD0801P	252	25	87	08	1010
D209350.TD0801P	346	25	87	08	1620

Side handle: Revolving handle art. M145 (pag. M-14).

For further details see art. D206

2 SPOKE CONTROL HANDWHEEL WITH REVOLVING HANDLE M129

Art.	D	dl	L	d1 H11	△ g
D210080.TP0501P	80	20	56	05	145
D210100.TP0501P	99	20	56	05	235
D210130.TD0501P	129	21	65	05	350
D210160.TD0801P	159	21	76	08	610
D210200.TD0801P	198	25	76	08	755
D210250.TD0801P	252	25	87	08	975
D210350.TD0801P	346	25	87	08	1630

Side handle: Revolving handle art. M129 (pag. M-10).

For further details see art. D206

2 SPOKE CONTROL HANDWHEEL WITH REVOLVING HANDLE M202

Art.	D	dl	L	d1 H11	△ g
D211250.TD0801P	252	40	67	08	975
D211350.TD0801P	346	40	67	08	1630

Side handle: Revolving and folding handle art. M202 (pag M-18).

For further details see art. D206



BASE FOR 2 SPOKE CONTROL HANDWHEEL WITH PROVISION FOR HANDLE

Art.	D	d1 H11	△ g	Side Handle Thread
D80.TP0501P	80	05	95	M06
D100.TD0501P	99	05	150	M06
D130.TD0501P	129	05	240	M08
D160.TD0801P	159	08	390	M08
D200.TD0801P	198	08	640	M08
D250.TD0801P	252	08	910	M10
D350.TD0801P	346	08	1530	M10

For further details see art. D206

Presumable presence in the stock in %

(🏠) 90% (😊) 40% (😞) 5% (😡)

BOTECA® - © All right reserved - www.boteco.it

Any unauthorized reproduction is strictly forbidden



BOTECA

D209



D210



D211



D-BASE



D - CONTROL HANDWHEELS