

D207



PA6
+GF

UL94
HB



2 SPOKE CONTROL HANDWHEEL WITH REVOLVING FOLDAWAY HANDLE

Material:

Reinforced and stabilised polyamide.
Oils and greases resistant.

Surface:

Satin.

Colour:

Black (RAL 9011).

Central Cap:

Grey polyamide (RAL 7035 cod. 13).

Alternative Cap Colour:

Orange (RAL 2004 cod. 02)
 Blue (RAL 5015 cod. 07)
 Yellow (RAL 1021 cod. 10)
 Red (RAL 3000 cod. 16)
 Green (RAL 6024 cod. 17)
 Black (RAL 9011 cod. 01)

Main Insert:

Zinc plated steel insert with smooth through-hole (H11 tolerance).

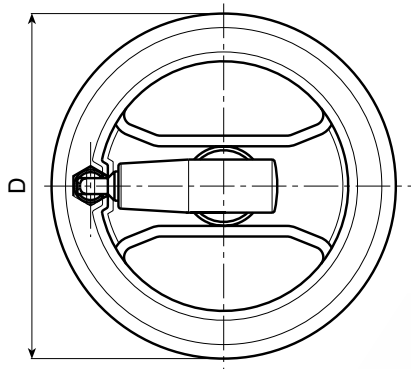
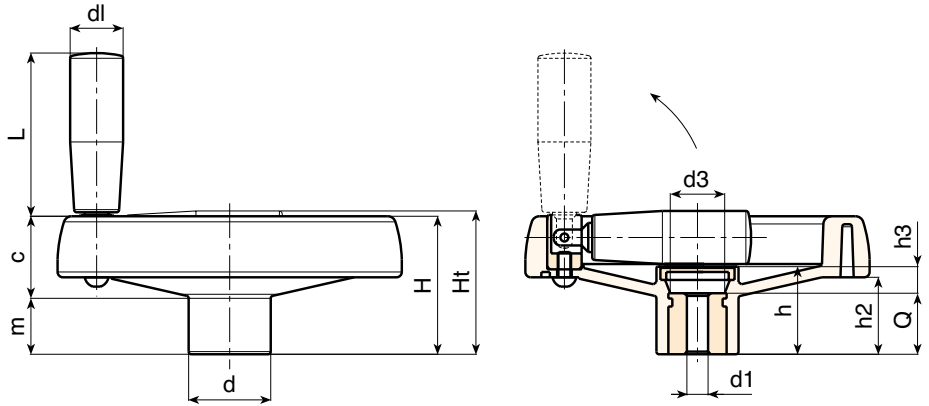
Side handle:

Flush, foldaway revolving handle, with hexagonal connection. Reinforced polyamide. Black-oxide treated internal mechanism. Fixed with black-oxide treated hexagon socket button head screw ISO 7838.

Hub:

Solid hub.

For fixing system, or execution of keyway or square holes, please refer to the technical notes attached to the catalogue.



SPECIAL REQUEST:

- It's possible to supply the inserts with d1 bore by customer design, on request and for quantities.
- It's possible to supply the inserts in different material and treatment-finishes, on request and for quantities.
- It's possible to supply the products with colours (reduced range) as shown in the table at page D-19, on request and for quantities.

Version with zinc plated insert and H11 tolerance bore

Art.	D	H	Ht	h	d	m	c	h2	h3	d3	dl	L	Dm	d1	H11	Q	g
D207130.TD0501P	129	53	55	32	32	22	31	30	12	26	20	58	18	05	20	300	
D207160.TD0501P	159	55	59	33,5	40	20,5	34,5	31	9,5	26	25	71	22	05	24	450	
D207350.TD0801P	346	80	86	49,5	67,5	24	56	43,5	17,5	35	40	64	30	08	32	1650	

Attention: bore d1 (H11 tolerance) could be produced by request, with 50 pieces minimum.

Dm = It's possible to increase the hole, by boring, until Dm (enlarge).

Version with black-oxide insert and H7 tolerance bore

Art.	D	H	Ht	h	d	m	c	h2	h3	d3	dl	L	Dm	d1	H7	Q	g
D207130.TD..01PZB	129	53	55	32	32	22	31	30	12	26	20	58	18	A.R.	20	300	
D207160.TD..01PZB	159	55	59	33,5	40	20,5	34,5	31	9,5	26	25	71	22	A.R.	24	450	
D207350.TD..01PZB	346	80	86	49,5	67,5	24	56	43,5	17,5	35	40	64	30	A.R.	32	1650	

Attention: replace the two places in the code .. with the hole diameter required - 50 pieces minimum.

Dm = It's possible to increase the hole, by boring, until Dm (enlarge). **A.R.** = By request

**D - CONTROL
HANDWHEELS**

ver. DUK.10-0113



BOTECO

D - 6

Presumable presence in the stock in %

(☺) 90% (☹) 40% (⊖) 5% (⊕)

www.boteco.it - © All right reserved - BOTECO®

Any unauthorized reproduction is strictly forbidden