

LOCKING FLANGE FOR POSITIONING (ACCESSORY FOR D601 - D602 - D603 - D604)

DFLAN



Material:

Impact resistant Polystyrene.

Surface:

Glossy.

Colour:

Black (RAL 9011).

Holes:

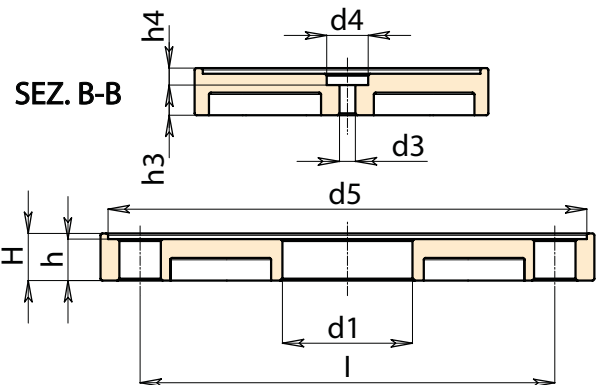
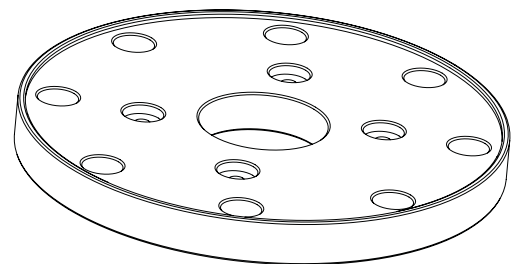
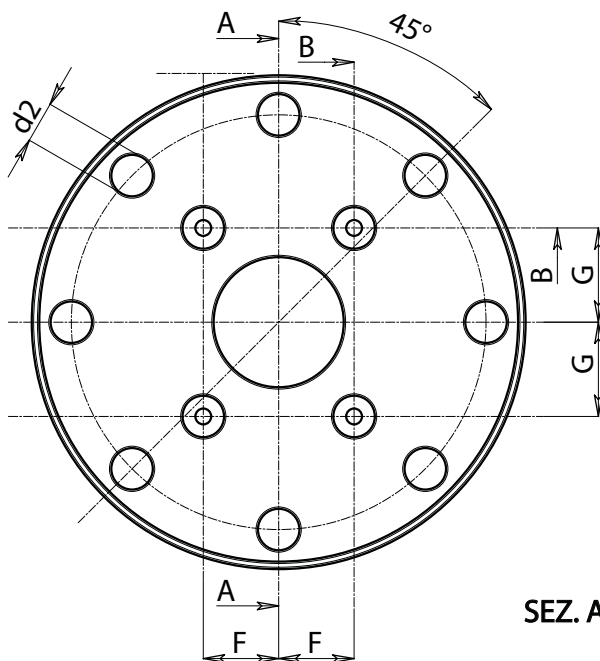
Through holes obtained by moulding the plastic. The holes marked d2 cannot be modified. It is possible to change both the diameter and positioning of the holes marked d1, d3, d4.

Fixing:

Fastening screws not supplied.

SPECIAL REQUESTS:

- Upon request and for special quantities, customised used position and diameter of the holes d1,d3,d4.



Art.	D	H	h	h3	h4	I	F	G	d2	d3	d4	d5	d1	g
DFLAN.T131X34,5X4,2	131	12,5	11	8	3	110	20	25	11	4,5	11	127	34,5	80
DFLAN.T131X.....	131	12,5	11	A.R.	A.R.	110	A.R.	A.R.	11	A.R.	A.R.	127	A.R.	-

A.R. = By request

Presumable presence in the stock in %

(🏠) 90% (🌱) 40% (☹️) 5% (🚫) 0%

BOTECO® - © All right reserved - www.boteco.it

Any unauthorized reproduction is strictly forbidden



BOTECO

**D - CONTROL
HANDWHEELS**