

E330

E331 - E332

CRANK HANDLE WITH SQUARE HOLE AND REVOLVING HANDLE

Material: Reinforced polyamide. Oils and greases resistant.

Surface: Satin.

Colour: Black (RAL 9011).

Central Cap:

Grey polyamide RAL 7035 (cod. 13).

Alternative Cap Colour:

- Orange (RAL 2004 cod. 02)
- Red (RAL 3000 cod. 16)
- Blue (RAL 5015 cod. 07)
- Green (RAL 6024 cod. 17)
- Yellow (RAL 1021 cod. 10)
- Black (RAL 9011 cod. 01)

Main Insert:

Black-oxide treated insert, with square through-hole, H11 tolerance.

Side Insert: Brass right through threaded bush.

Side Handle:

E330: Revolving handle Art. M144

E331: Revolving handle Art. M145

E332: Revolving handle Art. M129.

SPECIAL REQUESTS:

- It is possible to supply the inserts in different treatment-finishes, on request and for quantities.
- It is possible to supply arm and handle with colours as shown in the table at pag. 19, on request and for quantities.



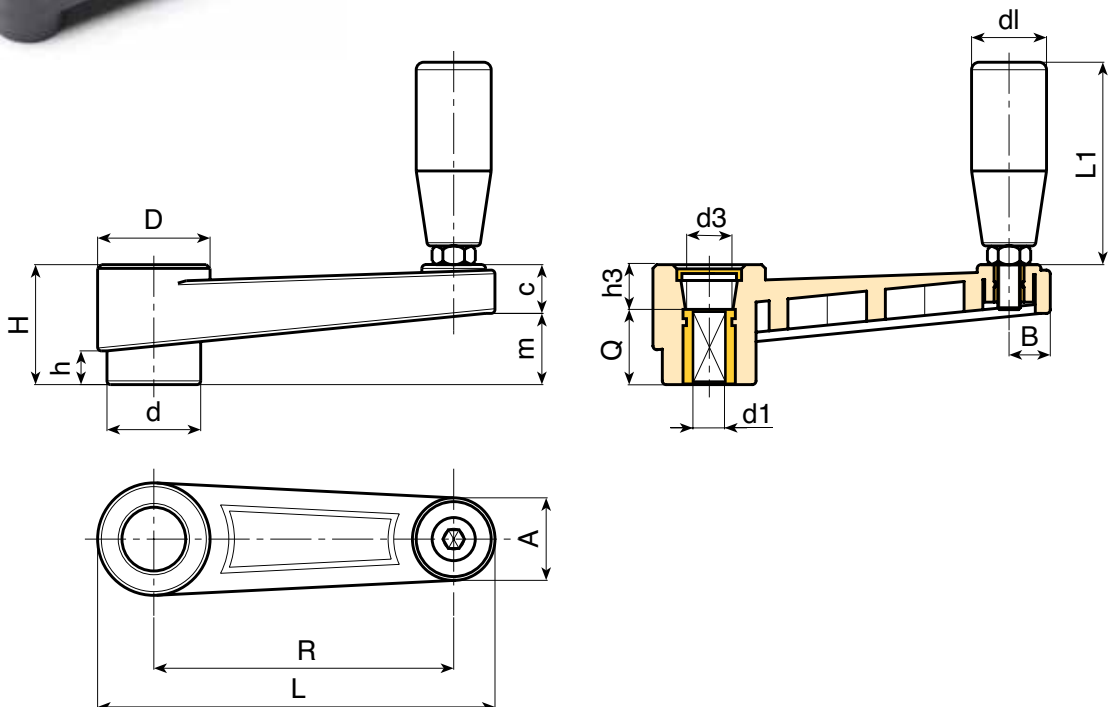
Art. E330



Art. E331



Art. E332



E - FIXED AND INDEXED CRANK HANDLES

ver. EUK.12-0314



BOTECA

E - 12

Presumable presence in the stock in %

(☺) 90% (☹) 40% (⊖) 5% (⊗)

www.boteco.it - © All right reserved - BOTECA®
Any unauthorized reproduction is strictly forbidden

CRANK HANDLE WITH SQUARE HOLE AND REVOLVING HANDLE

E330



Art.	L	R	H	D	d	m	c	A	B	h	d3	h3	d1 H11	Q	dl	L1	g
E330065.TQ0601P	88	65	30	27	22	17	13	18	9,5	8	14	10	□ 6	20	20	56	96
E330065.TQ0801P	88	65	30	27	22	17	13	18	9,5	8	14	10	□ 8	20	20	56	92
E330080.TQ1001P	106	80	33	30	26	19	13	21,5	11	9	18	9	□ 10	24	20	56	105
E330110.TQ1201P	138	110	39	33	29	22	14	22	12	11	18	11	□ 12	28	21	66	152
E330140.TQ1401P	174	140	49	41	35	34	16	25,5	13,5	15	22	19	□ 14	30	23	76	242
E330185.TQ1701P	220	185	55	45	40	40	16,5	26,5	14	16,5	28	21	□ 17	34	25	86	385

CRANK HANDLE WITH SQUARE HOLE - REVOLVING HANDLE M145

E331



Art.	L	R	H	D	d	m	c	A	B	h	d3	h3	d1 H11	Q	dl	L1	g
E331065.TQ0601P	88	65	30	27	22	17	13	18	9,5	8	14	10	□ 6	20	20	56	111
E331065.TQ0801P	88	65	30	27	22	17	13	18	9,5	8	14	10	□ 8	20	20	56	117
E331080.TQ1001P	106	80	33	30	26	19	13	21,5	11	9	18	9	□ 10	24	20	56	140
E331110.TQ1201P	138	110	39	33	29	22	14	22	12	11	18	11	□ 12	28	21	66	177
E331140.TQ1401P	174	140	49	41	35	34	16	25,5	13,5	15	22	19	□ 14	30	23	76	267
E331185.TQ1701P	220	185	55	45	40	40	16,5	26,5	14	16,5	28	21	□ 17	34	25	86	400

CRANK HANDLE WITH SQUARE HOLE - REVOLVING HANDLE M129

E332



Art.	L	R	H	D	d	m	c	A	B	h	d3	h3	d1 H11	Q	dl	L1	g
E332065.TQ0601P	88	65	30	27	22	17	13	18	9,5	8	14	10	□ 6	20	20	56	101
E332065.TQ0801P	88	65	30	27	22	17	13	18	9,5	8	14	10	□ 8	20	20	56	107
E332080.TQ1001P	106	80	33	30	26	19	13	21,5	11	9	18	9	□ 10	24	20	56	130
E332110.TQ1201P	138	110	39	33	29	22	14	22	12	11	18	11	□ 12	28	21	66	167
E332140.TQ1401P	174	140	49	41	35	34	16	25,5	13,5	15	22	19	□ 14	30	23	76	257
E332185.TQ1701P	220	185	55	45	40	40	16,5	26,5	14	16,5	28	21	□ 17	34	25	86	390

**= not definitive measures

Presumable presence in the stock in %

(🏠) 90% (☺) 40% (☹) 5% (⊖)

BOTECO® - © All right reserved - www.boteco.it

Any unauthorized reproduction is strictly forbidden



BOTECO

E - FIXED AND INDEXED CRANK HANDLES