

# F175 CIN



PA6  
+GF

UL94  
HB



## SOLID 6 LOBE HANDWHEEL WITH FEMALE STAINLESS STEEL THREADED INSERT

**INOX**

### Material:

Reinforced polyamide.  
Oils and greases resistant.

### Surface:

Satin.

### Colour:

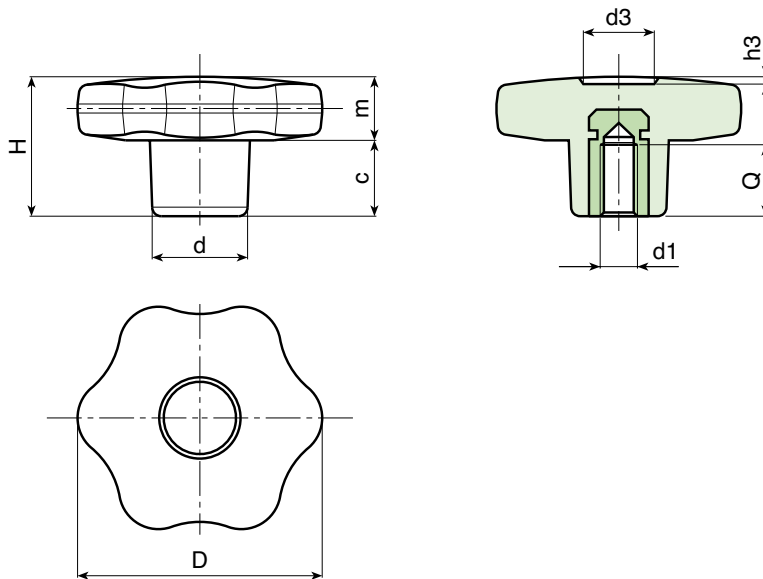
Black (RAL 9011).

### Main Insert:

Stainless steel blind threaded bush (AISI 303)  
(tolerance 6H).

### SPECIAL REQUEST:

- It is possible to supply colours as shown in the table at pag. F-35, on request and for quantities.



Art.	D	H	d	c	m	d3	h3	d1 6H	Q	g
F17530.TM0501CIN	30	22	15	11	11	9	1,5	M05	14	11,5
F17530.TM0601CIN	30	22	15	11	11	9	1,5	M06	10	12
F17530.TM0801CIN	30	22	15	11	11	9	1,5	M08	14	13,5
F17540.TM0601CIN	40	24,5	17	12	12,5	12	1	M06	16	22
F17540.TM0801CIN	40	24,5	17	12	12,5	12	1	M08	14	21,5
F17540.TM1001CIN	40	24,5	17	12	12,5	12	1	M10	14	21
F17550.TM0801CIN	50	29	20	14	15	14,5	1,5	M08	14	36
F17550.TM1001CIN	50	29	20	14	15	14,5	1,5	M10	14	37
F17560.TM0801CIN	60	34	24	16	18	18	1,5	M08	19	59
F17560.TM1001CIN	60	34	24	16	18	18	1,5	M10	21	59
F17560.TM1201CIN	60	34	24	16	18	18	1,5	M12	18	62