

SOLID 6 LOBE HANDWHEEL WITH SMOOTH BORED INSERT

F176



Material:

Reinforced polyamide.
Oils and greases resistant.

Surface:

Satin.

Colour:

Black (RAL 9011).

Main Insert:

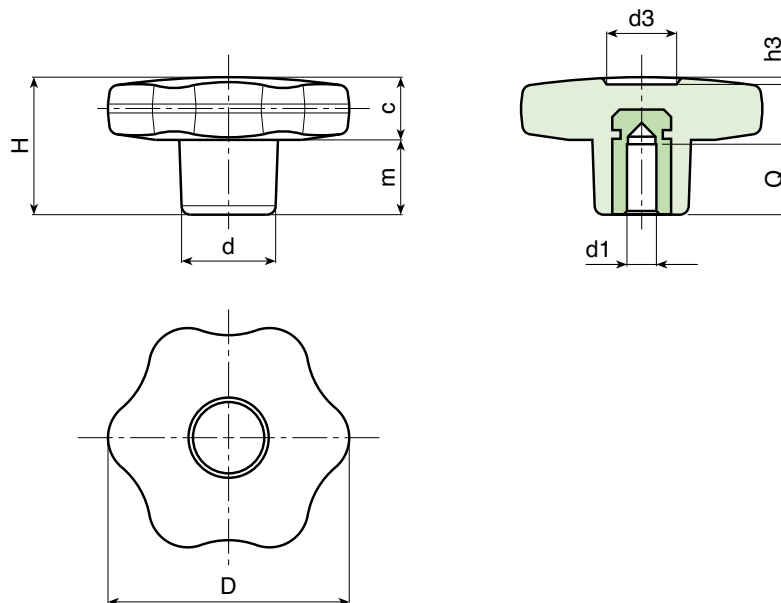
Brass insert with smooth blind hole (tolerance H7).

(*) Zinc plated steel insert with smooth blind hole (tolerance H11).

ATTENTION: bore cannot be enlarged.

SPECIAL REQUEST:

- It is possible to supply the inserts in different materials, on request and for quantities.
- It is possible to supply colours as shown in the table at pag. F-35, on request and for quantities.



Art.	D	H	d	c	m	d3	h3	d1 H7	Q	⚖ g
F17630.TD0601	30	22	15	11	11	9	1,5	06	15	17
F17630.TD0801	30	22	15	11	11	9	1,5	08	15	19
F17640.TD0601	40	24,5	17	12	12,5	12	1	06	15	24
F17640.TD0801	40	24,5	17	12	12,5	12	1	08	15	26
F17640.TD1001	40	24,5	17	12	12,5	12	1	10	17	28
F17650.TD0601	50	29	20	14	15	14,5	1,5	06	15	39
F17650.TD0801	50	29	20	14	15	14,5	1,5	08	15	41
F17650.TD1001	50	29	20	14	15	14,5	1,5	10	17	42
F17660.TD0801	60	34	24	16	18	18	1,5	(*) 08	18	78
F17660.TD1001	60	34	24	16	18	18	1,5	(*) 10	25	73
F17660.TD1201	60	34	24	16	18	18	1,5	(*) 12	22	75

Presumable presence in the stock in %

(🏭) 90% (🟢) 40% (🟡) 5% (🔴)

BOTECO® - © All right reserved - www.boteco.it

Any unauthorized reproduction is strictly forbidden



BOTECO