

# F189 CIN



PA6  
+GF

UL94  
HB



## SOLID CROSS HANDWHEEL WITH THREADED STAINLESS STEEL STUD

INOX

**Material:**

Reinforced polyamide.  
Oils and greases resistant.

**Surface:**

Satin.

**Colour:**

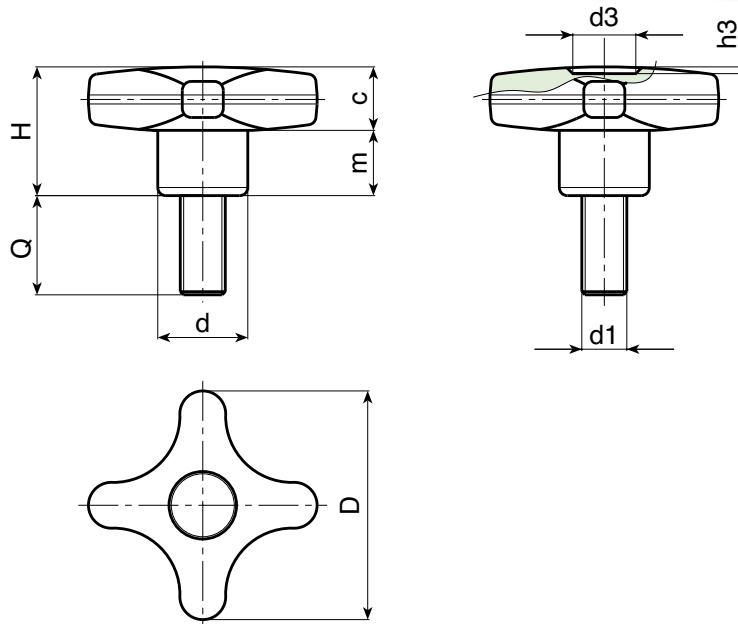
Black (RAL 9011).

**Main Insert:**

Stainless steel threaded stud (AISI 304) (tolerance 6g).

**SPECIAL REQUESTS:**

- It is possible to supply inserts in different lengths or by special design, on request and for quantities.
- It is possible to supply colours as shown in the table on page F-35, on request and for quantities.



Art.	D	H	d	c	m	d3	h3	LM	d1 6g	Q	g
F18932.TM05X..01CIN	32	23	15	11	11	9	1,5	80	M05	16-20-30	14-15-16
F18932.TM06X..01CIN	32	23	15	11	11	9	1,5	80	M06	16-20-30	15-16-17
F18932.TM08X..01CIN	32	23	15	11	11	9	1,5	80	M08	16-20-30-40	19-21-23-25
F18932.TM10X..01CIN	32	23	15	11	11	9	1,5	80	M10	20-30-40	24-27-30
F18940.TM06X..01CIN	40	24,5	17	12	12,5	12	1	80	M06	20-30-40-50	20-21-22-25
F18940.TM08X..01CIN	40	24,5	17	12	12,5	12	1	80	M08	20-30-40-50	24-29-33-37
F18940.TM10X..01CIN	40	24,5	17	12	12,5	12	1	80	M10	20-30-40-50	30-35-41-47
F18950.TM08X..01CIN	50	29	20	14	15	14,5	1,5	80	M08	20-30-40	38-42-46
F18950.TM10X..01CIN	50	29	20	14	15	14,5	1,5	80	M10	20-30-40-50	49-55-61-65
F18950.TM12X..01CIN	50	29	20	14	15	14,5	1,5	80	M12	20-30-40-50	51-57-63-70
F18960.TM08X..01CIN	60	34	24	15,5	18,5	18	1,5	80	M08	20-30-40	47-50-53
F18960.TM10X..01CIN	60	34	24	15,5	18,5	18	1,5	80	M10	30-40-50	64-68-72
F18960.TM12X..01CIN	60	34	24	15,5	18,5	18	1,5	80	M12	30-40	85-91
F18960.TM14X..01CIN	60	34	24	15,5	18,5	18	1,5	80	M14	A.R.	

Enter the stud length choice in the two .. of the article code. Lengths by request with 250 pieces minimum quantity.

LM = Maximum mouldable length.

A.R. = by request. 250 pieces minimum quantity.

F - SOLID  
LOCKING KNOBS

ver. FUK.15-0413



BOTECA

F - 22

Presumable presence in the stock in %

(☹) 90% (☺) 40% (☹) 5% (☹)

www.boteco.it - © All right reserved - BOTECA®

Any unauthorized reproduction is strictly forbidden