

# F200

## SOLID BAKELITE LOBED KNOB WITH FEMALE THREADED INSERT



### Materials:

Phenolic resin.  
Resistant to oils and greases.  
Resistant to high temperatures.

### Surface finish:

Glossy.

### Colour:

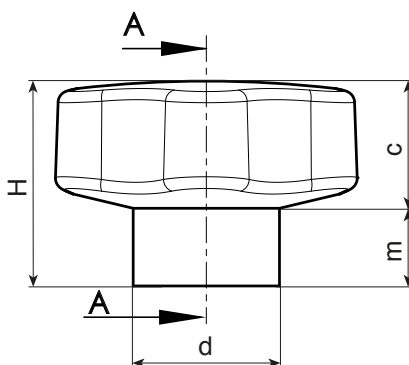
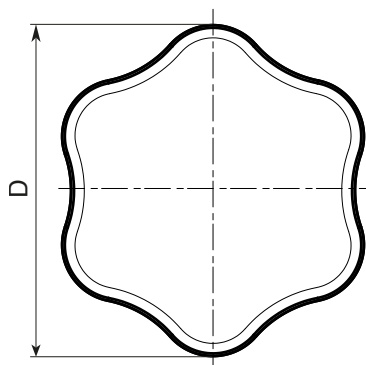
Black (RAL 9011).

### Inserts:

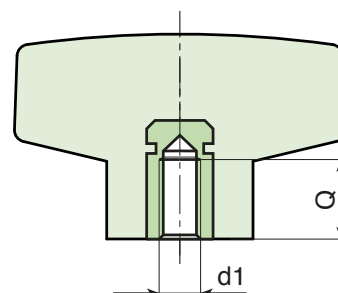
Brass insert with female threaded hole (thread tolerance 6H).

### Special requests:

- None.



SEZ. A-A



art.	D	d	H	m	c	d1 <sub>6H</sub>	Q	g
F20025.BM0401	25	15	20	9	11	M4	7,5	0
F20025.BM0501	25	15	20	9	11	M5	8	0
F20025.BM0601	25	15	20	9	11	M6	10	0
F20030.BM0401	30	17	25	11	14	M4	7,5	0
F20030.BM0501	30	17	25	11	14	M5	10	0
F20030.BM0401	30	17	25	11	14	M4	7,5	0
F20040.BM0501	40	21	30	13	17	M5	10	0
F20040.BM0601	40	21	30	13	17	M6	10	0
F20040.BM0801	40	21	30	13	17	M8	13,5	0
F20040.BM1001	40	21	30	13	17	M10	15	0
F20050.BM0801	50	23	33	13	20	M8	15	0
F20050.BM1001	50	23	33	13	20	M10	15	0
F20050.BM1201	50	23	33	13	20	M12	18	0
F20060.BM0801	60	28	37	15	22	M8	15	0
F20060.BM1001	60	28	37	15	22	M10	15	0
F20060.BM1201	60	28	37	15	22	M12	18	0
F20060.BM1401	60	28	37	15	22	M14	18	0
F20070.BM1001	70	30	41	17	24	M10	15	0
F20070.BM1201	70	30	41	17	24	M12	18	0
F20070.BM1401	70	30	41	17	24	M14	20	0
F20070.BM1601	70	30	41	17	24	M16	20	0
F20080.BM1201	80	32	47	19	28	M12	18	0
F20080.BM1401	80	32	47	19	28	M14	20	0
F20080.BM1601	80	32	47	19	28	M16	20	0