

SOLID 6 LOBE HANDWHEEL WITH STEEL/STAINLESS STEEL HUB AND SMOOTH HOLE

F276-F276CIN



Material:

Reinforced polyamide.
Oils and greases resistant.

Surface:

Satin.

Colour:

Black (RAL 9011).

Inserts:

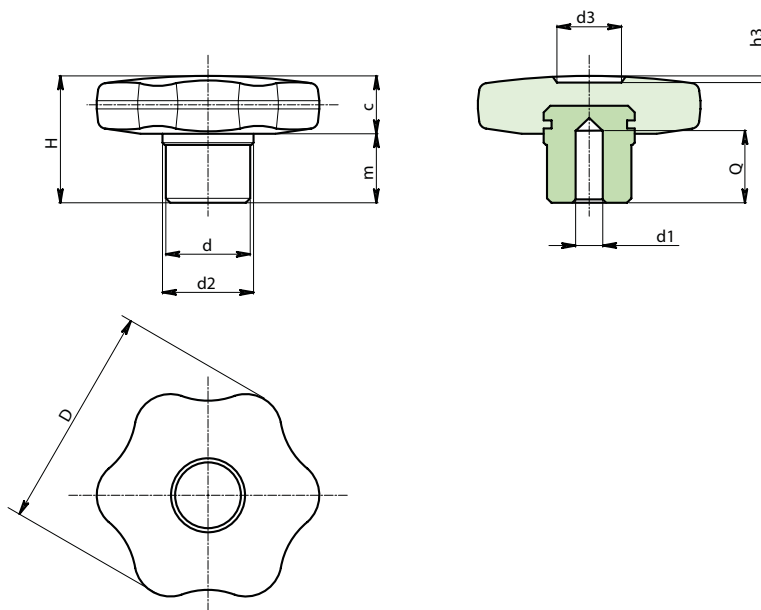
F276: Zinc plated steel insert with female blind smooth hole (tolerance H11).

F276 CIN: Stainless steel (AISI 303) insert with female blind smooth hole (tolerance H9).



SPECIAL REQUESTS:

- It's possible to supply the inserts with d1 bore by customer design, on request and for quantities.
- It is possible to supply colours as shown in the table on page F-35, on request and for quantities.



Version F276: Zinc plated steel

Art.	D	d	d2	H	m	c	d1 H9	Q	g
F27630.TD0601	30	13	15	22	11	11	06	12	26
F27640.TD0801	40	15	17	24	12	12	08	14	40
F27650.TD1001	50	18	20	29	15	14	10	16	67
F27660.TD1201	60	20	24	34	18	16	12	20	102

Version F276 CIN: Stainless steel AISI 303

INOX

Art.	D	d	d2	H	m	c	d1 H9	Q	g
F27630.TD0601CIN	30	13	15	22	11	11	06	12	26
F27640.TD0801CIN	40	15	17	24	12	12	08	14	40
F27650.TD1001CIN	50	18	20	29	15	14	10	16	67
F27660.TD1201CIN	60	20	24	34	18	16	12	20	102

Presumable presence in the stock in %

(🏠) 90% (😊) 40% (😐) 5% (😞)

BOTECO® - © All right reserved - www.boteco.it

Any unauthorized reproduction is strictly forbidden



BOTECO