

6-LOBE HANDWHEEL WITH CAP AND THREADED STUD

G651



Material:

Reinforced polyamide.
Oils and greases resistant.

Surface:

Satin.

Colour:

Black (RAL 9011).

Central Cap:

Grey polyamide (RAL 7035 cod. 13).

Alternative Cap Colour:

- Orange (RAL 2004 cod. 02)
- Blue (RAL 5015 cod. 07)
- Yellow (RAL 1021 cod. 10)
- Red (RAL 3000 cod. 16)
- Green (RAL 6024 cod. 17)
- Black (RAL 9011 cod. 01)



Main Insert:

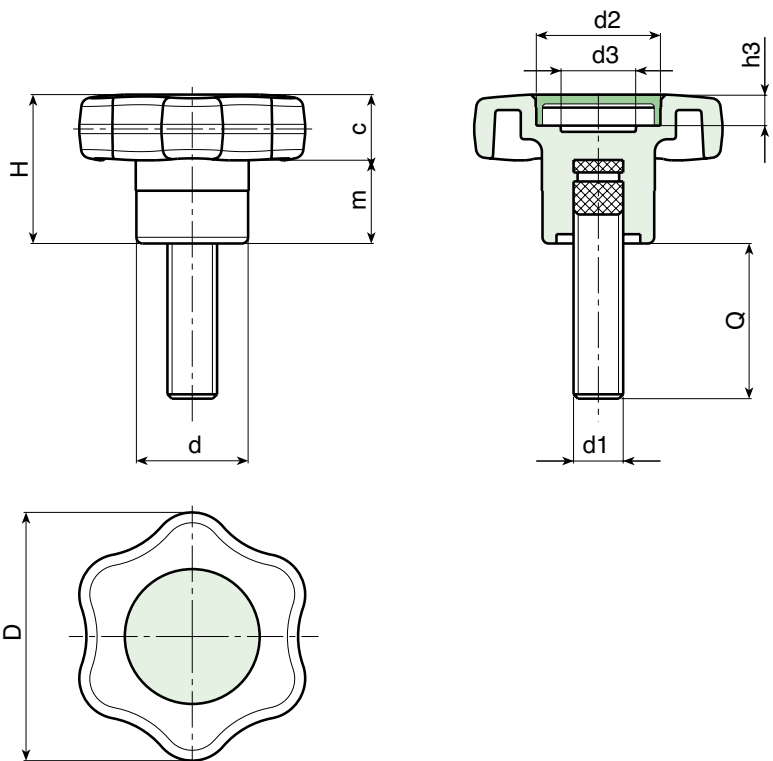
Zinc plated steel threaded stud (tolerance 6g).

SPECIAL REQUESTS:

- It is possible to supply inserts in different lengths or by special design, on request and for quantities.
- It is possible to supply inserts in different materials, on request and for quantities.
- It is possible to supply colours as shown in the table on page G-23, on request and for quantities.

PAD PRINTING SERVICE:

- Upon request and for special quantities caps can be supplied with customized pad printing.



☺	art.	D	H	d	m	c	d2	d3	h3	d1 6g	Q	Δ g
☺	G65140.TM06X4001	40	24	18	10,5	13,5	20	13	6	M06	40	21
☺	G65140.TM08X4001	40	24	18	10,5	13,5	20	13	6	M08	40	27
☺	G65140.TM10X4001	40	24	18	10,5	13,5	20	13	6	M10	40	34

LM = Maximum mouldable length.

It's possible to have different lengths, by customers requests. Minimum 100 pieces.

Availability of stock in %

(☺) 90% (☹) 40% (⊖) 5% (⊕)

BOTECO® - © All right reserved - www.boteco.it
Any unauthorized reproduction is strictly forbidden



**G - LOCKING
HANDWHEELS**