

G791



PA6
+GF

UL94
HB



CYLINDRICAL HANDWHEEL WITH THREADED FEMALE INSERT

Material:

Reinforced polyamide.
Oils and greases resistant.

Surface:

Satin.

Colour:

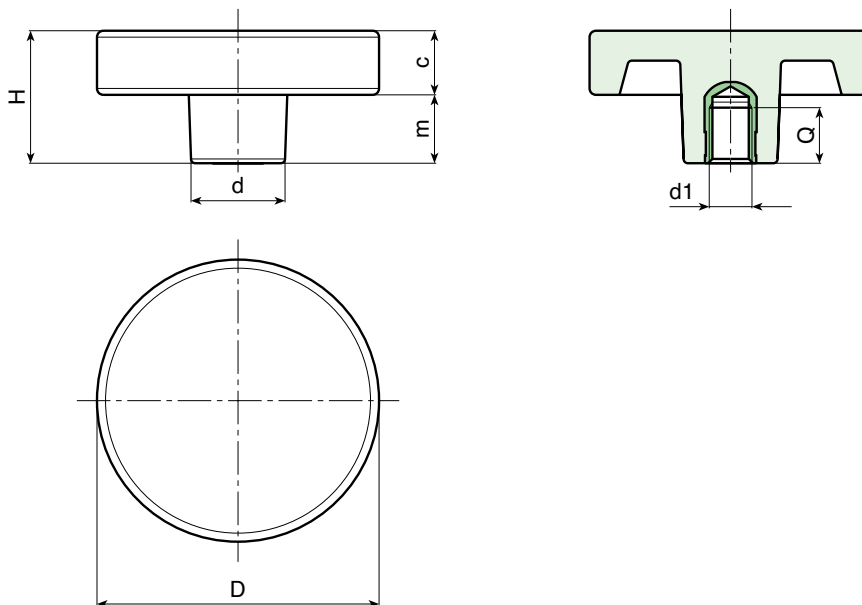
Black (RAL 9011).

Main Insert:

Brass blind threaded bush (tolerance 6H).

SPECIAL REQUEST:

- It is possible to supply the inserts in different materials, on request and for quantities.
- It is possible to supply colours as shown in the table at pag. G-23, on request and for quantities.



| | art. | D | H | d | c | m | d1 6H | Q | g |
|--|---------------|----|----|----|----|----|-------|----|----|
| | G79136.TM0601 | 36 | 17 | 18 | 16 | 1 | M06 | 10 | 18 |
| | G79136.TM0801 | 36 | 17 | 18 | 16 | 1 | M08 | 15 | 18 |
| | G79136.TM1001 | 36 | 17 | 18 | 16 | 1 | M10 | 14 | 19 |
| | G79150.TM0801 | 50 | 30 | 22 | 15 | 15 | M08 | 15 | 35 |
| | G79150.TM1001 | 50 | 30 | 22 | 15 | 15 | M10 | 14 | 36 |
| | G79150.TM1201 | 50 | 30 | 22 | 15 | 15 | M12 | 18 | 40 |
| | G79166.TM0801 | 66 | 30 | 22 | 15 | 15 | M08 | 15 | 52 |
| | G79166.TM1001 | 66 | 30 | 22 | 15 | 15 | M10 | 14 | 55 |
| | G79166.TM1201 | 66 | 30 | 22 | 15 | 15 | M12 | 18 | 58 |
| | G79166.TM1401 | 66 | 30 | 22 | 15 | 15 | M14 | 19 | 60 |

**G - LOCKING
HANDWHEELS**

ver. GUK.11-1113



BOTECA

G - 14

Presumable presence in the stock in %

90% 40% 5%

www.boteco.it - © All right reserved - BOTECA®
Any unauthorized reproduction is strictly forbidden