

CYLINDRICAL HANDWHEEL WITH THREADED STUD

Material:

Reinforced polyamide.
Oils and greases resistant.

Surface:

Satin.

Colour:

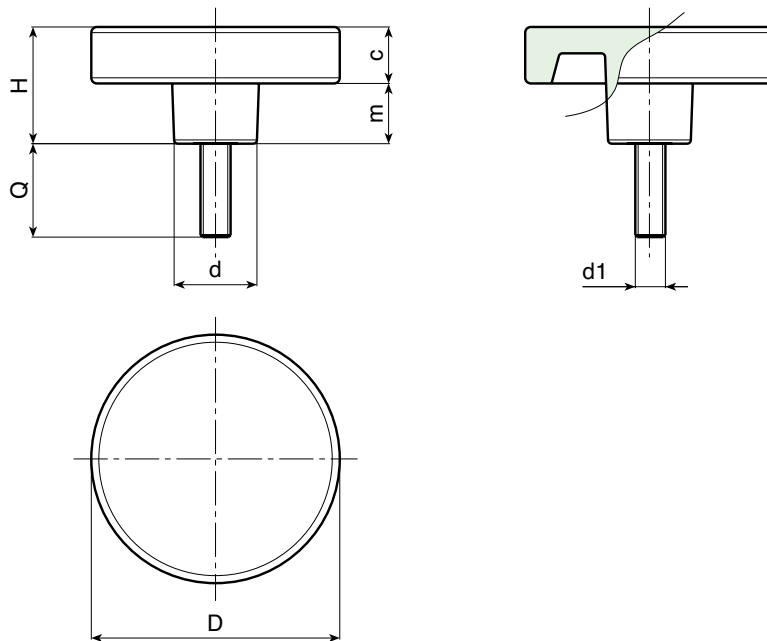
Black (RAL 9011).

Main Insert:

Zinc plated steel threaded stud (tolerance 6g).

SPECIAL REQUESTS:

- It is possible to supply inserts in different lengths or by special design, on request and for quantities.
- It is possible to supply inserts in different materials, on request and for quantities.
- It is possible to supply colours as shown in the table on page G-23, on request and for quantities.



| | art. | D | H | d | c | m | LM | d1 6g | Q | g |
|--|-------------------------|----|----|----|----|----|----|------------|----|----|
| | G79336.TM06X3001 | 36 | 17 | 18 | 16 | 1 | 50 | M06 | 30 | 20 |
| | G79336.TM08X4001 | 36 | 17 | 18 | 16 | 1 | 50 | M08 | 40 | 30 |
| | G79336.TM10X4001 | 36 | 17 | 18 | 16 | 1 | 50 | M10 | 40 | 42 |
| | G79350.TM08X2501 | 50 | 30 | 22 | 15 | 15 | 60 | M08 | 25 | 44 |
| | G79350.TM10X4501 | 50 | 30 | 22 | 15 | 15 | 60 | M10 | 45 | 61 |
| | G79350.TM12X3001 | 50 | 30 | 22 | 15 | 15 | 60 | M12 | 30 | 80 |
| | G79366.TM08X2501 | 65 | 30 | 22 | 15 | 15 | 60 | M08 | 25 | 63 |
| | G79366.TM10X5001 | 65 | 30 | 22 | 15 | 15 | 60 | M10 | 50 | 80 |
| | G79366.TM12X2501 | 65 | 30 | 22 | 15 | 15 | 60 | M12 | 25 | 97 |

LM = Maximum mouldable length.

It's possible to have different lengths, by customers requests. Minimum 200 pieces.