

G799



ELONGATED KNOB WITH THREADED STUD

Material:

Reinforced polyamide.
Oils and greases resistant.

Surface:

Satin.

Colour:

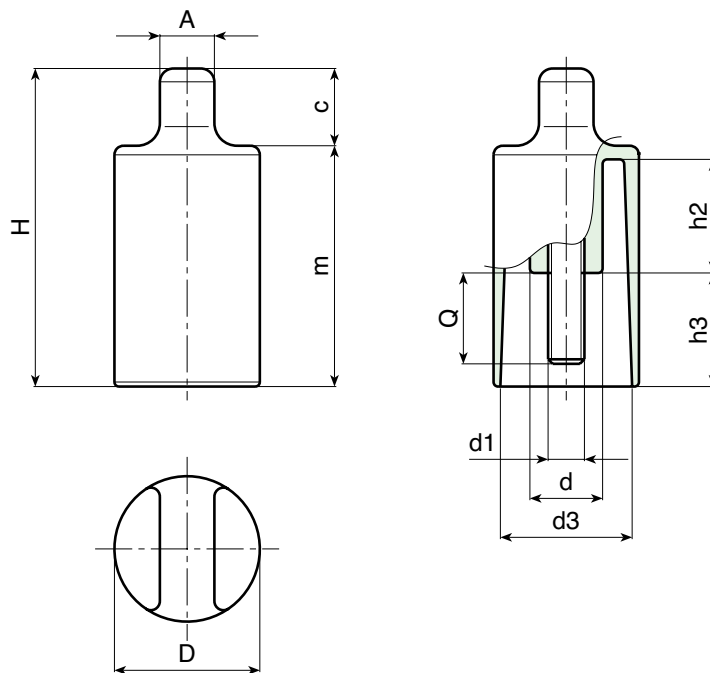
Black (RAL 9011).

Main Insert:

Zinc plated steel threaded stud (tolerance 6g).

SPECIAL REQUESTS:

- It is possible to supply inserts in different lengths or by special design, on request and for quantities.
- It is possible to supply inserts in different materials, on request and for quantities.
- It is possible to supply colours as shown in the table on page G-23, on request and for quantities.



	art.	D	H	d	A	c	m	h2	h3	d3	d1	6g	Q	g
	G79932.TM06X1601	32	69	12	12	15	54	25	26	28	M06	16	40	
	G79932.TM08X1601	32	69	12	12	15	54	25	26	28	M08	16	48	

**G - LOCKING
HANDWHEELS**

ver. GUK.11-1113



BOTECA

G - 22

Presumable presence in the stock in %

90% 40% 5%

www.boteco.it - © All right reserved - BOTECA®

Any unauthorized reproduction is strictly forbidden