

H185

KNURLED BAKELITE KNOB WITH THREADED STUD



Materials:

Phenolic resin.
Resistant to oils and greases.
Resistant to high temperatures.

Surface finish:

Smooth.

Colour:

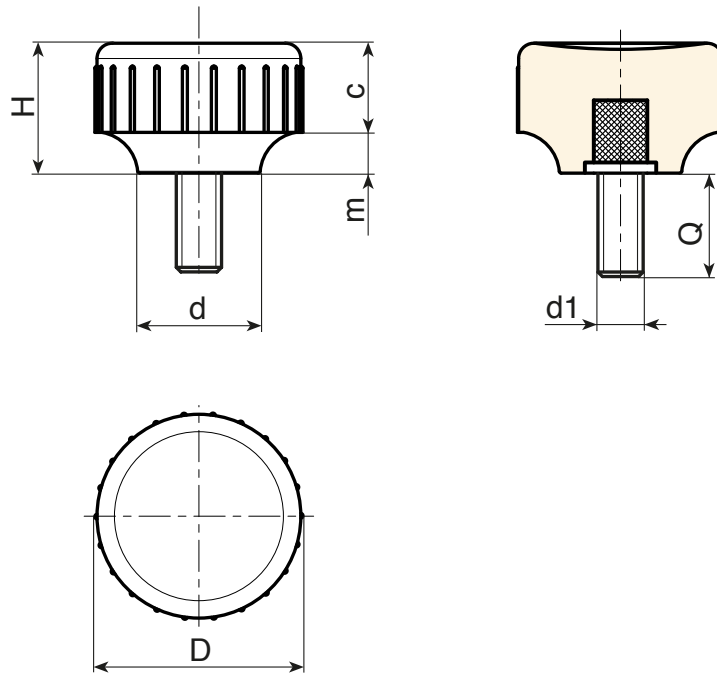
Black (RAL 9011).

Inserts:

Galvanised steel threaded stud (thread tolerance 6g).

Special Requests:

- None.



	art.	D	H	d	m	c	LM	d16g	Q	
-	H18520.BM05X..01	20	13	13	4	9	60	M5	20-30-40	9-10-11
-	H18520.BM06X..01	20	13	13	4	9	60	M6	20-30-40	10-11-12

Enter the selected stud length in place of the two dots . . in the item code. Customised stud length only available for a minimum of 100 pieces.