

KNURLED SOLID HANDWHEEL WITH THREADED FEMALE INSERT

H757



Material:

Reinforced polyamide.
Oils and greases resistant.

Surface:

Satin.

Colour:

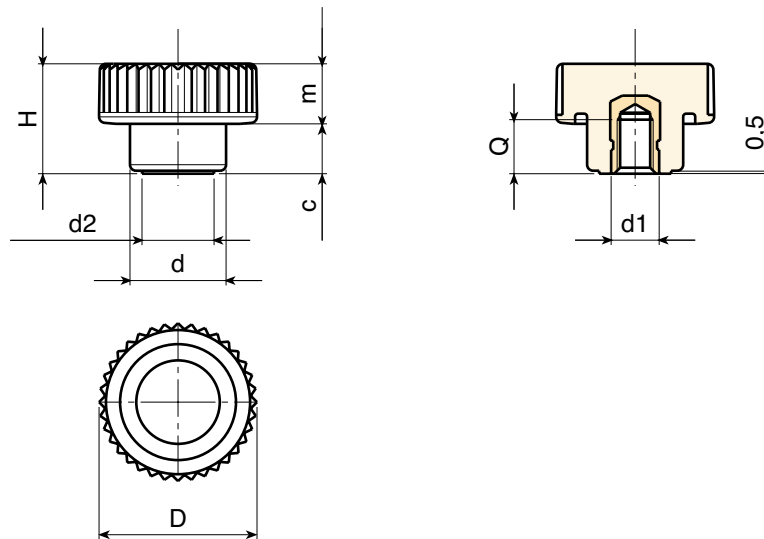
Black (RAL 9011).

Main Insert:

Brass blind threaded bush (tolerance 6H).

SPECIAL REQUEST:

- It is possible to supply the inserts in different materials, on request and for quantities.
- It is possible to supply colours as shown in the table at pag. H-19, on request and for quantities.



art.	D	H	d	m	c	d2	d1 6H	Q	g
H75726.TM0501	26	18	16	8,5	9,5	12	M05	6	9
H75726.TM0601	26	18	16	8,5	9,5	12	M06	9	10
H75726.TM0801	26	18	16	8,5	9,5	12	M08	8	11

Presumable presence in the stock in %

(☒) 90% (☑) 40% (☐) 5% (⊖)

BOTECO® - © All right reserved - www.boteco.it
Any unauthorized reproduction is strictly forbidden



BOTECO