

# KNURLED HANDWHEEL WITH HUB AND THREADED FEMALE INSERT

## H758



PA6  
+GF

UL94  
HB



### Material:

Reinforced polyamide.  
Oils and greases resistant.

### Surface:

Satin.

### Colour:

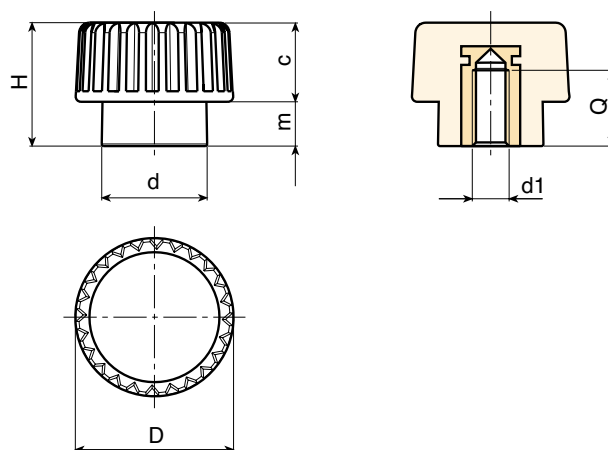
Black (RAL 9011).

### Main Insert:

Brass blind threaded bush (tolerance 6H).

### SPECIAL REQUEST:

- It is possible to supply the inserts in different materials, on request and for quantities.
- It is possible to supply colours as shown in the table at pag. H-19, on request and for quantities.



art.	D	H	d	m	c	d1 6H	Q	g
H75815.TM0401	15	12	10	4,5	7,5	M04	7	4
H75815.TM0501	15	12	10	4,5	7,5	M05	7	4
H75815.TM0601	15	12	10	4,5	7,5	M06	7	4

Presumable presence in the stock in %

(🏠) 90% (☺) 40% (☹) 5% (⊖)

BOTECO® - © All right reserved - [www.boteco.it](http://www.boteco.it)

Any unauthorized reproduction is strictly forbidden



BOTECO

H - 9

H - KNURLED  
HANDWHEELS

ver. HUK.10-0113