

# KNURLED HOLLOWED HANDWHEEL WITH THREADED STUD

## H766 CIN



PA6  
+GF

UL94  
HB



### INOX

**Material:**

Reinforced polyamide.  
Oils and greases resistant.

**Surface:**

Satin.

**Colour:**

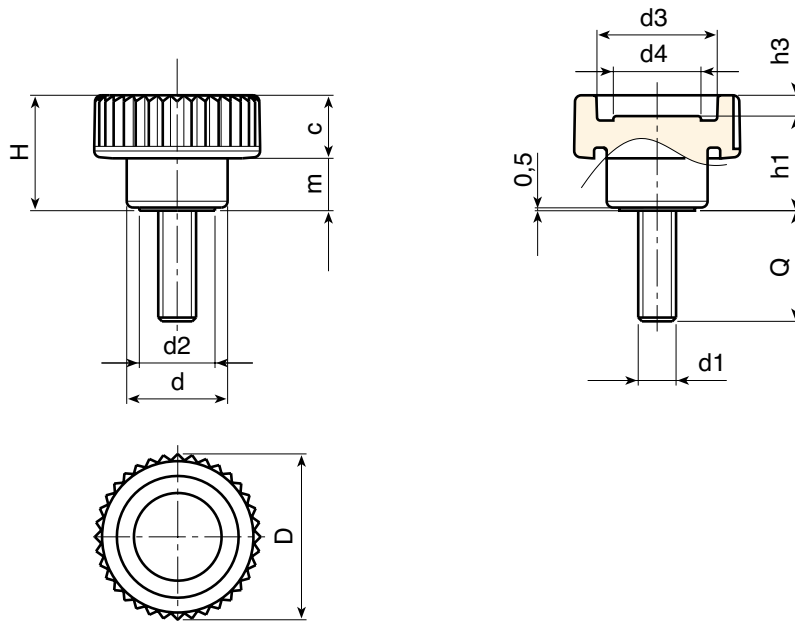
Black (RAL 9011).

**Main Insert:**

Stainless steel threaded stud (AISI 303) (tolerance 6g).

**SPECIAL REQUESTS:**

- It is possible to supply inserts in different lengths or by special design, on request and for quantities.
- It is possible to supply colours as shown in the table on page H-19, on request and for quantities.



| art.                | D  | H    | d  | m    | c    | d2  | d3 | d4   | h1   | h3  | LM  | d1 6g | Q  | ⚖ g  |
|---------------------|----|------|----|------|------|-----|----|------|------|-----|-----|-------|----|------|
| H76615.TM04X2001CIN | 15 | 10,5 | 10 | 4,5  | 6    | 8   | 10 | 7,5  | 8,5  | 2   | 40  | M04   | 20 | 3    |
| H76615.TM05X2001CIN | 15 | 10,5 | 10 | 4,5  | 6    | 8   | 10 | 7,5  | 8,5  | 2   | 40  | M05   | 20 | 5    |
| H76621.TM05X3001CIN | 21 | 15   | 13 | 6,5  | 8,5  | 9,5 | 15 | 10,5 | 12,5 | 2,5 | 40  | M05   | 30 | 9,5  |
| H76621.TM06X3001CIN | 21 | 15   | 13 | 6,5  | 8,5  | 9,5 | 15 | 10,5 | 12,5 | 2,5 | 40  | M06   | 30 | 11   |
| H76626.TM06X3001CIN | 26 | 18   | 16 | 8,5  | 9,5  | 12  | 19 | 13   | 15   | 3   | 80  | M06   | 30 | 13,5 |
| H76626.TM08X3001CIN | 26 | 18   | 16 | 8,5  | 9,5  | 12  | 19 | 13   | 15   | 3   | 80  | M08   | 30 | 19,5 |
| H76633.TM08X3001CIN | 32 | 23   | 20 | 10,5 | 12,5 | 15  | 23 | 16   | 18   | 5   | 80  | M08   | 30 | 30   |
| H76633.TM10X4001CIN | 32 | 23   | 20 | 10,5 | 12,5 | 15  | 23 | 16   | 18   | 5   | 80  | M10   | 40 | 35,5 |
| H76640.TM08X4001CIN | 40 | 28   | 25 | 12,5 | 15,5 | 18  | 28 | 21   | 22   | 6   | 100 | M08   | 40 | 44   |
| H76640.TM10X5001CIN | 40 | 28   | 25 | 12,5 | 15,5 | 18  | 28 | 21   | 22   | 6   | 100 | M10   | 50 | 59   |
| H76640.TM12X5001CIN | 40 | 28   | 25 | 12,5 | 15,5 | 18  | 28 | 21   | 22   | 6   | 100 | M12   | 50 | 77   |
| H76640.TM14X5001CIN | 40 | 28   | 25 | 12,5 | 15,5 | 18  | 28 | 21   | 22   | 6   | 100 | M14   | 50 | 100  |

LM = Maximum mouldable length.

It's possible to have different length, by customers requests. Minimum 250 pieces.

Presumable presence in the stock in %

(🏠) 90% (☺) 40% (☹) 5% (⊖)

BOTECO® - © All right reserved - www.boteco.it

Any unauthorized reproduction is strictly forbidden



BOTECO