

H770



PA6
+GF

UL94
HB



KNURLED HANDWHEEL WITH THREADED FEMALE INSERT

Material:

Reinforced polyamide.
Oils and greases resistant.

Surface:

Satin.

Colour:

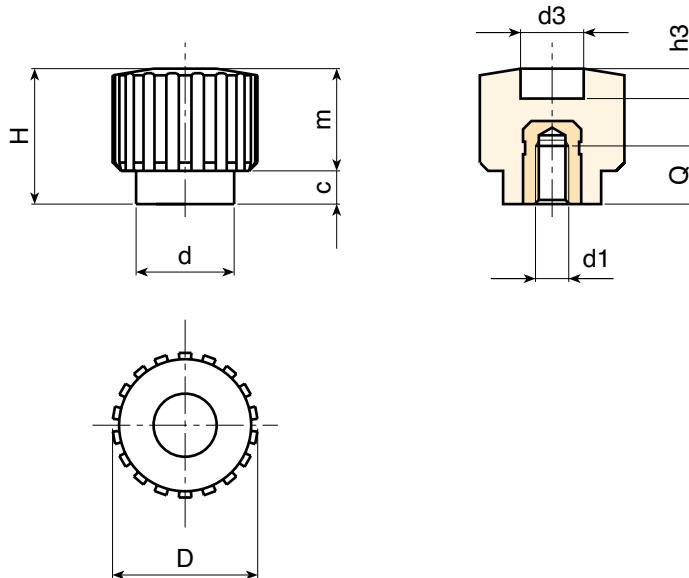
Black (RAL 9011).

Main Insert:

Brass blind threaded bush (tolerance 6H).

SPECIAL REQUEST:

- It is possible to supply the inserts in different materials, on request and for quantities.
- It is possible to supply colours as shown in the table at pag. H-19, on request and for quantities.



art.	D	H	d	m	c	d3	h3	d1 6H	Q	g
H77018.TM0401	17,5	17,5	12	4	13,5	9	5	M04	7	5
H77018.TM0501	17,5	17,5	12	4	13,5	9	5	M05	7	5
H77018.TM0601	17,5	17,5	12	4	13,5	9	5	M06	7	5