

# I105



PA6  
+GF

UL94  
HB



## BALL KNOB WITH FEMALE THREADED INSERT

### Material:

Reinforced polyamide.  
Oils and greases resistant.

### Surface:

Satin.

### Colour:

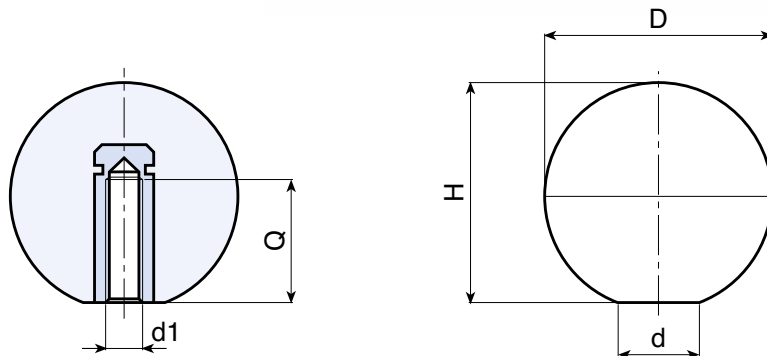
Black (RAL 9011).

### Main Insert:

Brass blind threaded bush (tolerance 6H).

### SPECIAL REQUEST:

- It is possible to supply the inserts in different materials, on request and for quantities.
  - It is possible to supply colours as shown in the table at pag. I-23, on request and for quantities.
- (\*) ATTENTION: Reduced colour range.**



	art.	D	H	d	d1 6H	Q	g
	I10515.TM0401	15	14	8	M04	8	4
	I10515.TM0501	15	14	8	M05	7	4
	I10520.TM0401	20	19	10	M04	8	8
	I10520.TM0501	20	19	10	M05	7	8
	I10520.TM0601	20	19	10	M06	7	8
	I10520.TM0801	20	19	10	M08	7	8
	I10525.TM0501	25	23	14	M05	10	12
	I10525.TM0601	25	23	14	M06	10	12
	I10525.TM0801	25	23	14	M08	11	14
	I10525.TM1001	25	23	14	M10	14	12
	I10530.TM0501	30	29	14	M05	15	22
	I10530.TM0601	30	29	14	M06	16	22
	I10530.TM0801	30	29	14	M08	14	22
	I10530.TM1001	30	29	14	M10	14	22
	I10530.TM1201	30	29	14	M12	18	26
	I10535.TM0601	35	33	16	(*) M06	16	34
	I10535.TM0801	35	33	16	(*) M08	14	34
	I10535.TM1001	35	33	16	(*) M10	14	34
	I10335.TM1201	35	33	16	(*) M12	18	32
	I10540.TM0801	40	39	16	(*) M08	14	52
	I10540.TM1001	40	39	16	(*) M10	14	52
	I10540.TM1201	40	39	16	(*) M12	18	52
	I10540.TM1401	40	39	16	(*) M14	19	50
	I10545.TM0801	45	44	18	(*) M08	14	60
	I10545.TM1001	45	44	18	(*) M10	18	60
	I10545.TM1201	45	44	18	(*) M12	18	58
	I10545.TM1401	45	44	18	(*) M14	19	56
	I10550.TM1001	50	49	18	(*) M10	18	94
	I10550.TM1201	50	49	18	(*) M12	18	92
	I10550.TM1401	50	49	18	(*) M14	19	90

**I**  
**HANDGRIPS**

ver. IUK.15-0113



**BOTECA**

Presumable presence in the stock in %

90% 40% 5%

www.boteco.it - © All right reserved - BOTECA®

Any unauthorized reproduction is strictly forbidden