

I107 CIN



PA6
+GF

UL94
HB



CONICAL KNOB WITH FEMALE THREADED INSERT

INOX

Material:

Reinforced polyamide.
Oils and greases resistant.

Surface:

Satin.

Colour:

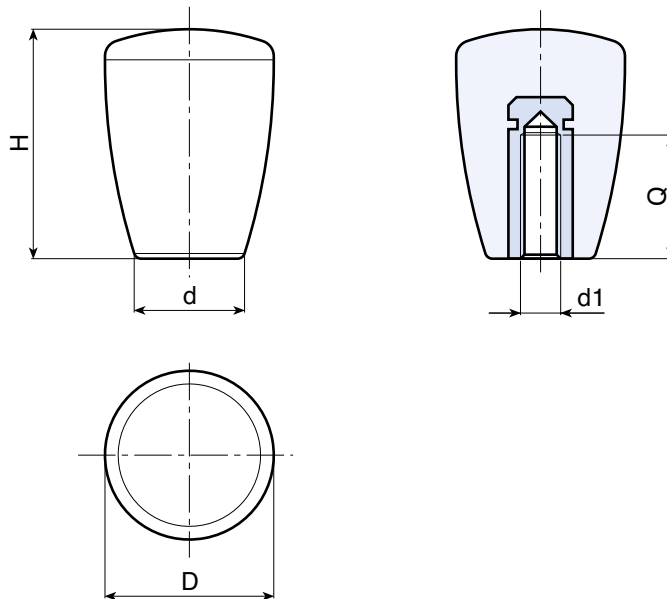
Black (RAL 9011).

Main Insert:

Stainless steel blind threaded bush.
(AISI 303) (tolerance 6H).

SPECIAL REQUEST:

- It is possible to supply colours as shown in the table at pag. I-23, on request and for quantities.
(*) ATTENTION: Reduced colour range.



	art.	D	H	d	d1 6H	Q	⚖ g
	I10721.TM0501CIN	21	28	13	M05	15	16
	I10725.TM0601CIN	25	34	17	M06	16	20
	I10725.TM0801CIN	25	34	17	M08	16	22
	I10725.TM1001CIN	25	34	17	M10	16	25
	I10732.TM0801CIN	32	43	21	M08	16	43
	I10732.TM1001CIN	32	43	21	M10	16	43
	I10732.TM1201CIN	32	43	21	M12	20	48
	I10743.TM1001CIN	43	58	27	(*) M10	16	92
	I10743.TM1201CIN	43	58	27	(*) M12	20	92