

# I113



PA6  
+GF

UL94  
HB



## CONICAL KNOB WITH LEVER ARM

### Material:

Reinforced polyamide.  
Oils and greases resistant.

### Surface:

Satin.

### Colour:

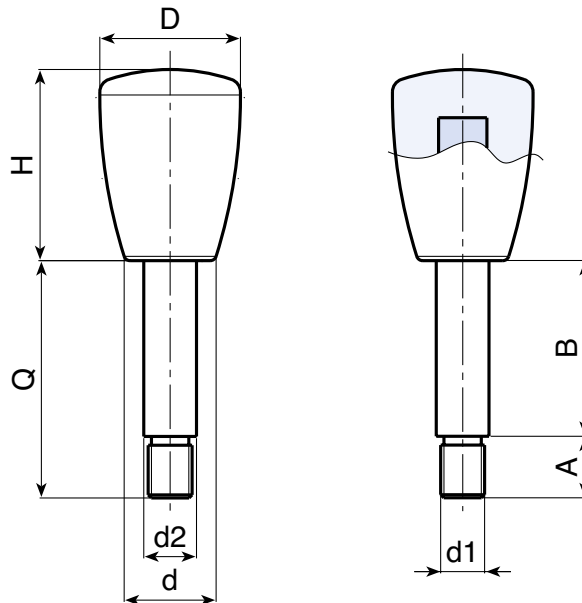
Black (RAL 9011).

### Main Insert:

Zinc plated steel partially threaded stud  
(tolerance 6g).

### SPECIAL REQUESTS:

- It is possible to supply inserts in different lengths or by special design, on request and for quantities.
- It is possible to supply inserts in different materials/treatments, on request and for quantities.
- It is possible to supply colours as shown in the table on page I-23, on request and for quantities.



	art.	D	H	d	A	B	d2	d1 6g	Q	g
	I11325.TI10X4001	25	34	17	10	30	10	M08	40	42
	I11325.TI10X5501	25	34	17	10	45	10	M08	55	48
	I11325.TI10X8001	25	34	17	10	70	10	M08	80	75
	I11332.TI12X5501	32	43	21	15	40	12	M10	55	86
	I11332.TI12X6501	32	43	21	15	50	12	M10	65	97
	I11332.TI14X6501	32	43	21	15	50	14	M12	65	114

LM = Maximum mouldable length.

It's possible to have different length, by customers requests. Minimum 250 pieces.

I  
HANDGRIPS

ver. IUK.15-0113



BOTECA

I - 10

Presumable presence in the stock in %

90% 40% 5%

www.boteco.it - © All right reserved - BOTECA®  
Any unauthorized reproduction is strictly forbidden