

I117



PA6
+GF

UL94
HB



MUSHROOM KNOB WITH FEMALE THREADED INSERT

Material:

Reinforced polyamide.
Oils and greases resistant.

Surface:

Satin.

Colour:

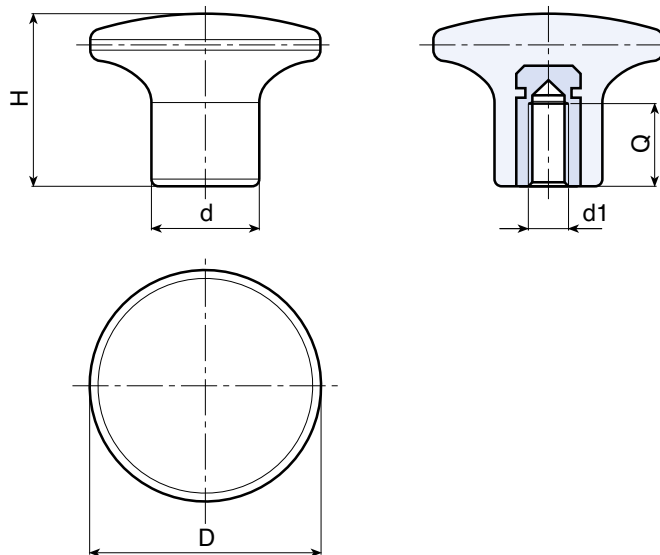
Black (RAL 9011).

Main Insert:

Brass blind threaded bush (tolerance 6H).

SPECIAL REQUEST:

- It is possible to supply the inserts in different materials, on request and for quantities.
- It is possible to supply colours as shown in the table at pag. I-23, on request and for quantities.



	art.	D	H	d	d1	Q	g
	I11722.TM0401	22	17	11	M04	8	6
	I11722.TM0501	22	17	11	M05	10	6
	I11722.TM0601	22	17	11	M06	11	6
	I11726.TM0501	26	20,5	13	M05	10	9
	I11726.TM0601	26	20,5	13	M06	11	9
	I11726.TM0801	26	20,5	13	M08	15	10
	I11732.TM0501	32	24	15	M05	10	12
	I11732.TM0601	32	24	15	M06	9	12
	I11732.TM0801	32	24	15	M08	15	14
	I11745.TM0801	45	32	21	M08	20	32
	I11745.TM1001	45	32	21	M10	18	33
	I11745.TM1201	45	32	21	M12	18	34
	I11745.TM1401	45	32	21	M14	33	38