

I118



PA6
+GF

UL94
HB



MUSHROOM KNOB WITH THREADED PLASTIC BORE

Material:

Reinforced polyamide.
Oils and greases resistant.

Surface:

Satin.

Colour:

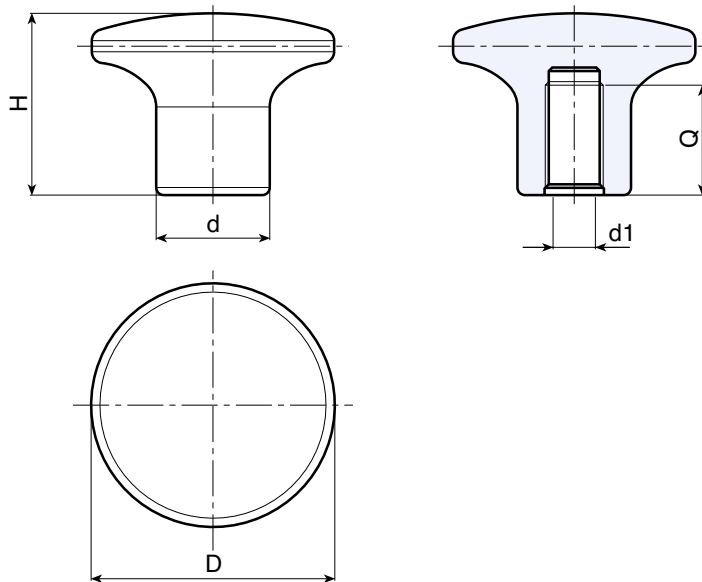
Black (RAL 9011).

Hole:

Female threaded blind hole obtained by moulding the plastic. (tolerance in not applicable).

SPECIAL REQUEST:

- It is possible to supply colours as shown in the table at pag. I-23, on request and for quantities.



	art.	D	H	d	d1	Q	g
	I11822.TM0401	22	17	11	M04	12	4
	I11822.TM0501	22	17	11	M05	12	4
	I11822.TM0601	22	17	11	M06	12	4
	I11826.TM0501	26	20,5	13	M05	13	6
	I11826.TM0601	26	20,5	13	M06	13	6
	I11826.TM0801	26	20,5	13	M08	13	6
	I11832.TM0501	32	24	15	M05	15	10
	I11832.TM0601	32	24	15	M06	15	10
	I11832.TM0801	32	24	15	M08	15	10
	I11845.TM0801	45	32	21	M08	21	26
	I11845.TM1001	45	32	21	M10	21	25
	I11845.TM1201	45	32	21	M12	21	25
	I11845.TM1401	45	32	21	M14	21	23

I
HANDGRIPS

ver. IUK.15-0113



BOTECA

I - 18

Presumable presence in the stock in %

90% 40% 5%

www.boteco.it - © All right reserved - BOTECA®
Any unauthorized reproduction is strictly forbidden