

J130



UNIVERSAL TUBULAR LOCK WITH KNOB

Material:

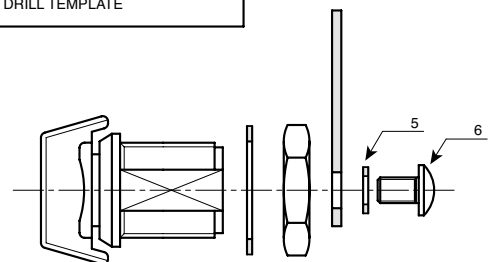
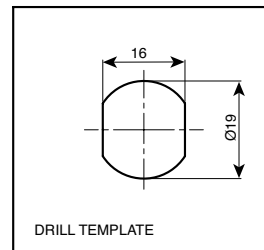
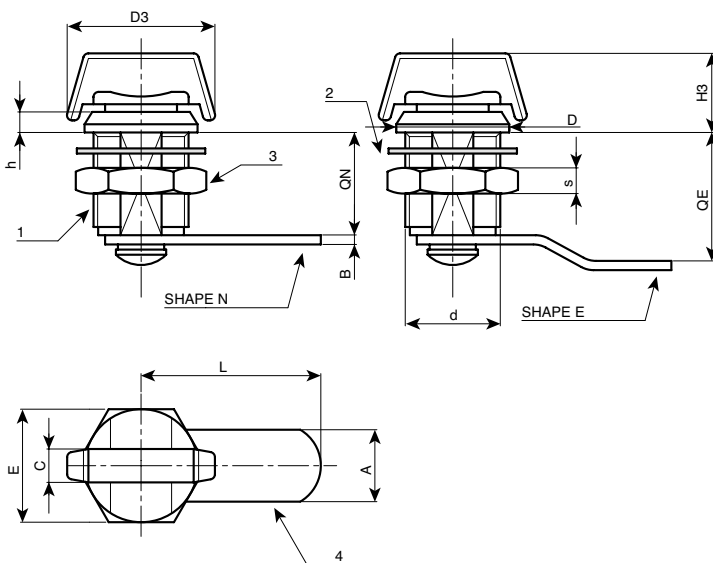
- (1) Die-cast zamak lock body M19 (stator) rotor and knob. Nickel-plated finish.
- (2) Black-oxide treated elastic washer d.24x1 bore d. 19,4.
- (3) Galvanized steel hexagon nut M19x1.
- (4) Galvanized steel locking lever. (Qn shape N flat - Qe shape E offset).
- (5) Conical black-oxide treated steel elastic washer d.12x1,5.
- (6) Galvanised steel Phillips dome head screw M5x8.

Rotation:

90°.

SPECIAL REQUESTS:

- None.



Art.	d	L	Qn	Qe	D	D3	H3	h	A	B	C	E	S	g
J130019.ZN30X20	M19	30	20	-	22	29	15	4	14	2,5	6,5	22	5	57
J130019.ZE30X25	M19	30	-	25	22	29	15	4	14	2,5	6,5	22	5	60

J - LATCHING SYSTEMS

ver. JUK.16-1214



J - 2

Presumable presence in the stock in %

(🏠) 90% (😊) 40% (😞) 5% (😡)

www.boteco.it - © All right reserved - BOTECO®

Any unauthorized reproduction is strictly forbidden