

UNIVERSAL TUBULAR LOCK WITH 6 MM. TRIANGULAR INSERT KEY

J140

Material:

- (1) Die-cast zamak lock body M19 (stator) and rotor
Nickel-plated finish. 6 mm. triangular key
- (2) Black-oxide treated elastic washer d.24x1 bore
d. 19,4.
- (3) Galvanized steel hexagon nut M19x1.
- (4) Galvanized steel locking lever. (Qn shape N flat - Qe
shape E offset).
- (5) Conical black-oxide treated steel elastic washer
d.12x1,5.
- (6) Galvanised steel Phillips dome head screw M5x8.



Key: (Optional):

- (7) Nickel-plated die-cast zamak key. Art. J141080.Z06

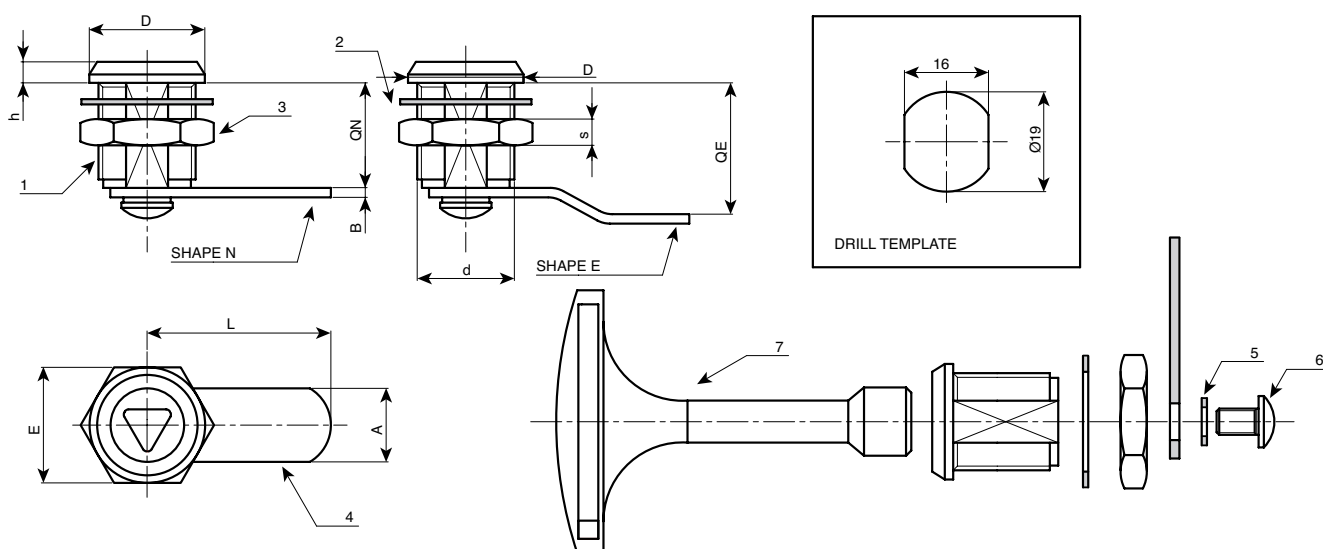
NOTE: The key is not supplied. Order separately.

Rotation:

90°.

SPECIAL REQUESTS:

- None.



Art.	d	L	Qn	Qe	D	h	A	B	E	S	Δ g
J140019.ZN0635X20	M19	35	20	-	22	4	14	2.5	22	5	48
J140019.ZE0635X22	M19	35	-	22	22	4	14	2.5	22	5	49
J140019.ZE0630X25	M19	30	-	25	22	4	14	2.5	22	5	47
J140019.ZE0639X29	M19	39	-	29	22	4	14	2.5	22	5	49
J140019.ZE0635X37	M19	35	-	37	22	4	14	2.5	22	5	51

Presumable presence in the stock in %

(🏠) 90% (😊) 40% (😞) 5% (😡)

BOTECO® - © All right reserved - www.boteco.it

Any unauthorized reproduction is strictly forbidden

