

J180



ADJUSTABLE STEEL AND STAINLESS STEEL TOGGLE LATCH

Material:

Version J180: Adjustable toggle latch made of galvanised shear steel.

Version J180 CIN: Adjustable toggle latch made of shear stainless steel . (AISI 304).

Surface:

Version J180: Glossy.

Version J180 CIN: Natural.

ATTENTION: the catch plate must be ordered separately.

SPECIAL REQUESTS:

- None.

COMBINABLE CATCH PLATES:

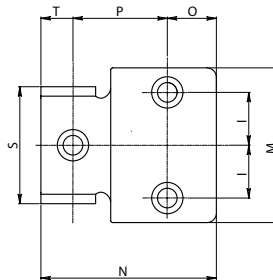
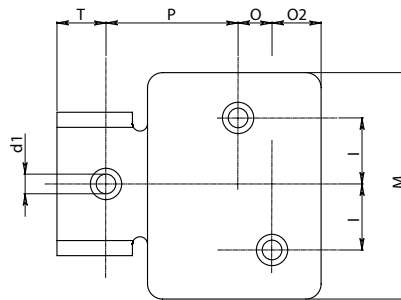
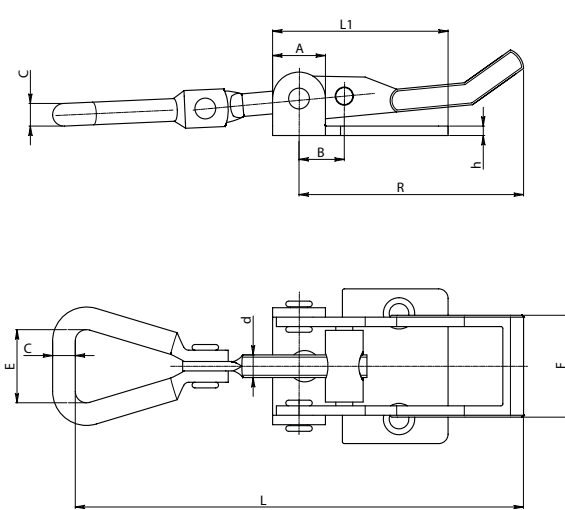
Article J180048 combinable with catch plates: J183048-J184048

Article J180065 combinable with catch plates: J183065-J184065-J185065.

Article J180112 combinable with catch plates: J183065-J184065-J185065.



J180112



Version J180 - Galvanised steel version

Art.	R	L	L1/N	A	B	C	d	d1	E	F	h	I	M	O	O2	P	T	S	Δg
J180048.FZ	48	66-75	35	10	11	4,3	M5	5,5	18	17	2	7,5	28	9	-	12	14	20	35
J180065.FZ	65	104-124	46	14	12	6	M6	5,1	24	25	3	13	41	13,5	-	24,5	8	31	110
J180112.FZ	112	160-175	70	20	14	7	M8	7,5	34	30	2,5	17,5	60	9	13	35	13	37	210

Version J180 CIN - Stainless steel version

Art.	R	L	L1/N	A	B	C	d	d1	E	F	h	I	M	O	O2	P	T	S	Δg
J180048.FZCIN	48	66-75	35	10	11	4,3	M5	5,5	18	17	2	7,5	28	9	-	12	14	20	35
J180065.FZCIN	65	104-124	46	14	12	6	M6	5,1	24	25	3	13	41	13,5	-	24,5	8	31	110



J - LATCHING SYSTEMS

ver. JUK.16-1214



J - 6

Presumable presence in the stock in %

(🏠) 90% (😊) 40% (😐) 5% (😞)

www.boteco.it - © All right reserved - BOTECO®

Any unauthorized reproduction is strictly forbidden