

# J183



## STEEL AND STAINLESS STEEL CATCH PLATE FOR ADJUSTABLE TOGGLE LATCH

**Material:**

**Version J183:** Drilled catch plate made of galvanised shear steel.

**Version J183 CIN:** Drilled catch plate made of stainless steel shear. (AISI 304).

**Surface:**

**Version J183:** Glossy.

**Version J183 CIN:** Natural.

**ATTENTION:** the toggle latch plate must be ordered separately.

**SPECIAL REQUESTS:**

- None.

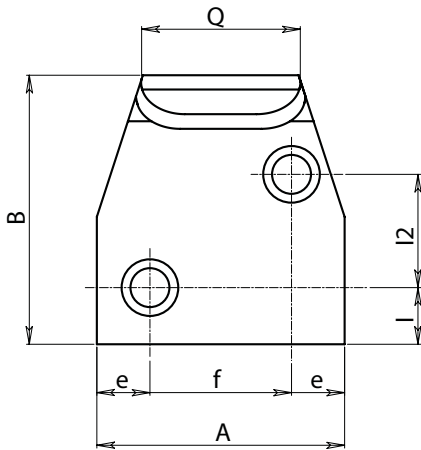
**COMBINABLE TOGGLE LATCHES:**

Article J183048 combinable with toggle latches: J180048-J182048

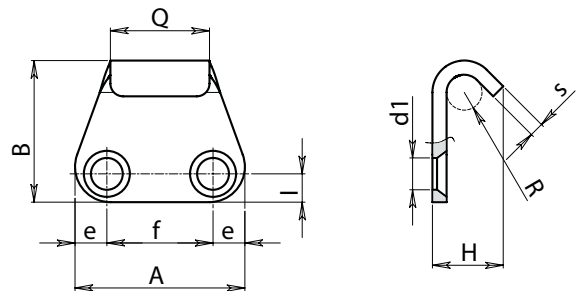
Article J183065 combinable with toggle latches: J182065-J182065-J180112-J182112.



J183065



J183048



**Version J183 - Galvanised steel version**

Art.	H	I	I2	A	B	Q	e	f	R	d1	s	g
J183048.FZ10	10	5	-	26	20	14	5,5	15	2,5	5,1	2	7
J183065.FZ14	13,5	8,5	15,5	35	39	22	7,5	20	3,5	6,5	2	31

**Version J183 CIN - Stainless steel version**

Art.	H	I	I2	A	B	Q	e	f	R	d1	s	g
J183048.FZ10CIN	10	5	-	26	20	14	5,5	15	2,5	5,1	2	7
J183065.FZ14CIN	13,5	8,5	15,5	35	39	22	7,5	20	3,5	6,5	2	31

**INDEX**

**J - LATCHING  
SYSTEMS**

ver. JUK.16-1214



J - 8

Presumable presence in the stock in %

(☺) 90% (☹) 40% (⊖) 5% (⊕)

www.boteco.it - © All right reserved - BOTECO®  
Any unauthorized reproduction is strictly forbidden