

# L271 CIN



# T-HANDLE WITH THREADED STUD

**INOX**

**Material:**

Reinforced polyamide.  
Oils and greases resistant.

**Surface:**

Satin.

**Colour:**

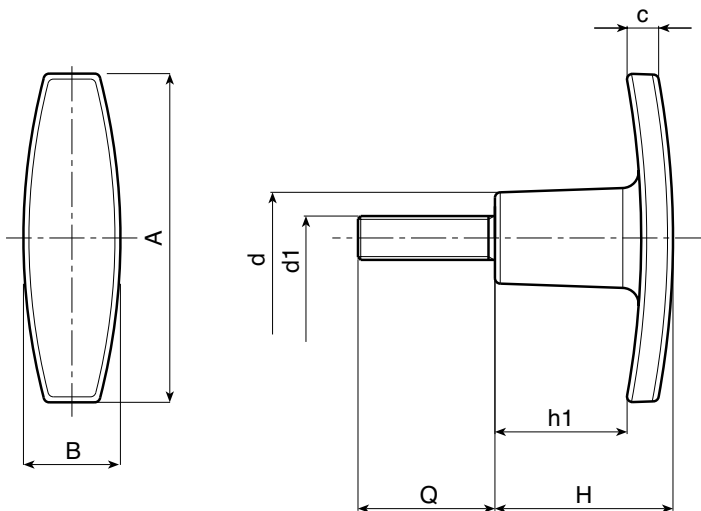
Black (RAL 9011).

**Main Insert:**

Stainless steel threaded stud (AISI 303).  
(tolerance 6g).

**SPECIAL REQUESTS:**

- It is possible to supply inserts in different lengths or by special design, on request and for quantities.
- It is possible to supply colours as shown in the table on page L-27, on request and for quantities.



	Art.	A	B	H	h1	c	d	LM	d1 6g	Q	g	F1 (N)
	L27150.TM05X..01CIN	50	15	24	17	5	14	30	M05	A.R.	-	4100
	L27150.TM06X..01CIN	50	15	24	17	5	14	30	M06	A.R.	-	4100
	L27160.TM06X..01CIN	60	18	33	24	6	16,5	30	M06	A.R.	-	5800
	L27160.TM08X..01CIN	60	18	33	24	6	16,5	30	M08	A.R.	-	5800
	L27172.TM08X..01CIN	72	19	34	20	10	18	80	M08	A.R.	-	6500
	L27172.TM10X..01CIN	72	19	34	20	10	18	80	M10	A.R.	-	6500
	L27172.TM12X..01CIN	72	19	34	20	10	18	80	M12	A.R.	-	6500

Enter the stud length choice in the two .. of the article code. Lengths by request with 500 pieces minimum quantity.

LM = Maximum mouldable length.

A.R. = by request.