

L805-L805PIN



"EUROMODEL" WINGNUT WITH SMOOTH HOLE INSERT

PROTECTED MODEL

Material:

Reinforced polyamide.
Oils and greases resistant.

Surface:

Satin.

Colour:

Black (RAL 9011).

Central Cap:

Grey PA6 (RAL 7035 cod. 13).

Alternative Cap Colour:

Orange (RAL 2004 cod. 02).
Blue (RAL 5015 cod. 07).
Yellow (RAL 1021 cod. 10).
Red (RAL 3000 cod. 16).
Green (RAL 6024 cod. 17).
Black (RAL 9011 cod. 01).

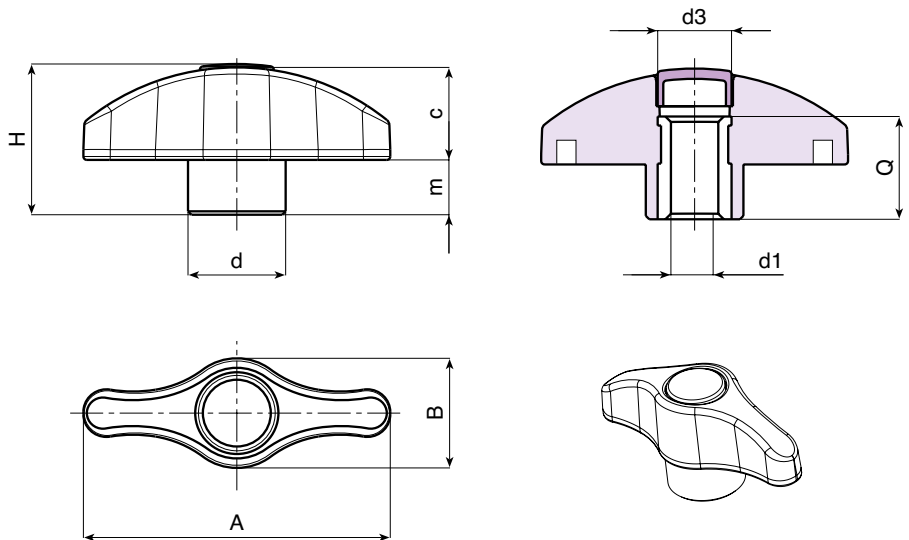
Main Insert:

L805: Brass right through bored bush with H9 tolerance.

L805CIN: Stainless steel (AISI 303) right through bored bush with H9 tolerance.

SPECIAL REQUESTS:

- It is possible to supply the inserts in different materials, on request and for quantities.
- It is possible to supply the wingnuts with colours as shown in the table at page L-27, on request and for quantities.



Version L805: Standard brass insert

Art.	A	B	H	m	c	d	d3	d1 H9	Q	g
A.R. L80544.TD050113	44	16	22	8	14	14	10	D05	15	9
A.R. L80544.TD060113	44	16	22	8	14	14	10	D06	15	9
A.R. L80544.TD080113	44	16	22	8	14	14	10	D08	15	10
A.R. L80552.TD050113	52	19	26	9,5	16,5	17	13	D05	18	14
A.R. L80552.TD060113	52	19	26	9,5	16,5	17	13	D06	18	14
A.R. L80552.TD080113	52	19	26	9,5	16,5	17	13	D08	18	15
A.R. L80552.TD100113	52	19	26	9,5	16,5	17	13	D10	18	16
A.R. L80567.TD060113	67	24	32,5	11	21,5	21	16	D06	18	25
A.R. L80567.TD080113	67	24	32,5	11	21,5	21	16	D08	18	25
A.R. L80567.TD100113	67	24	32,5	11	21,5	21	16	D10	18	26
A.R. L80567.TD120113	67	24	32,5	11	21,5	21	16	D12	18	26

A.R. = Only by request.

Version L805 PIN: Stainless steel insert

Art.	A	B	H	m	c	d	d3	d1 H9	Q	g
A.R. L80544.TM060113PIN	44	16	22	8	14	14	10	D06	15	9
A.R. L80552.TM080113PIN	52	19	26	9,5	16,5	17	13	D08	18	15
A.R. L80567.TM100113PIN	67	24	32,5	11	21,5	21	16	D10	18	26

A.R. = Only by request.

INOX

L - WINGNUTS AND T-HANDLES

ver. LUK.15-0113

BOTECO EUROMODEL

L - 14

Presumable presence in the stock in %

(☺) 90% (☹) 40% (⊖) 5% (⊕)

www.boteco.it - © All right reserved - BOTECO®

Any unauthorized reproduction is strictly forbidden