

# "EUROMODEL" WINGNUT WITH SMOOTH HOLE INSERT WITHOUT CAP

## L808-L808PIN



**PROTECTED MODEL**

**Material:**

Reinforced polyamide.  
Oils and greases resistant.

**Surface:**

Satin.

**Colour:**

Black (RAL 9011).

**Main Insert:**

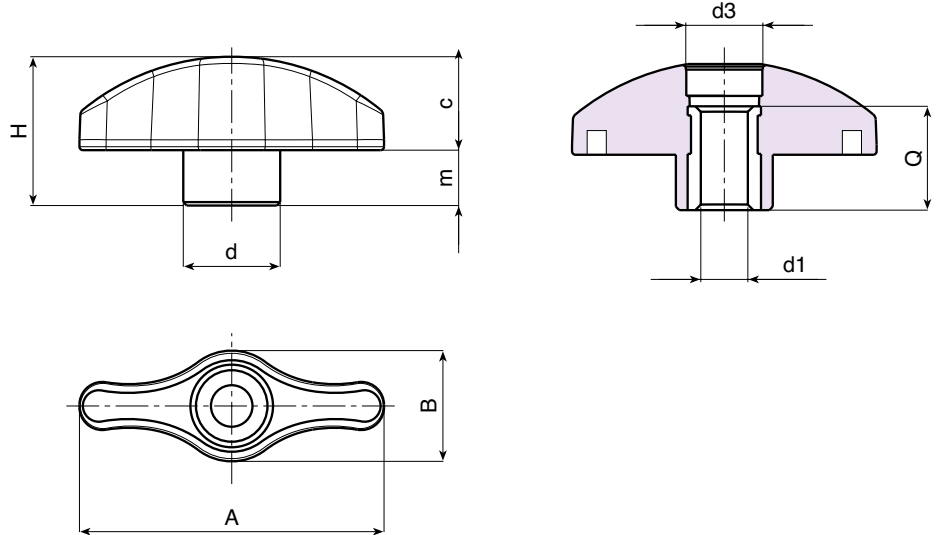
**L808:** Brass right through bored bush with H9 tolerance.

**L808CIN:** Stainless steel (AISI 303) right through bored bush with H9 tolerance.



**SPECIAL REQUESTS:**

- It is possible to supply the inserts in different materials, on request and for quantities.
- It is possible to supply the wingnuts with colours as shown in the table at page L-27, on request and for quantities.



**Version L808: Standard brass insert**

Art.	A	B	H	m	c	d	d3	d1	Q	g
<b>A.R.</b> L80844.TD0501	44	16	21,5	8	14	14	10	D05	15	8
<b>A.R.</b> L80844.TD0601	44	16	21,5	8	14	14	10	D06	15	8
<b>A.R.</b> L80844.TD0801	44	16	21,5	8	14	14	10	D08	15	9
<b>A.R.</b> L80852.TD0501	52	19	25,5	9,5	16,5	17	13	D05	18	13
<b>A.R.</b> L80852.TD0601	52	19	25,5	9,5	16,5	17	13	D06	18	13
<b>A.R.</b> L80852.TD0801	52	19	25,5	9,5	16,5	17	13	D08	18	14
<b>A.R.</b> L80852.TD1001	52	19	25,5	9,5	16,5	17	13	D10	18	15
<b>A.R.</b> L80867.TD0601	67	24	32	11	21,5	21	16	D06	18	24
<b>A.R.</b> L80867.TD0801	67	24	32	11	21,5	21	16	D08	18	24
<b>A.R.</b> L80867.TD1001	67	24	32	11	21,5	21	16	D10	18	25
<b>A.R.</b> L80867.TD1201	67	24	32	11	21,5	21	16	D12	18	25

**A.R.** = Only by request.

**Version L808 PIN: Stainless steel insert**

**INDEX**

Art.	A	B	H	m	c	d	d3	d1	Q	g
<b>A.R.</b> L80844.TM0601PIN	44	16	21,5	8	14	14	10	D06	15	8
<b>A.R.</b> L80852.TM0801PIN	52	19	25,5	9,5	16,5	17	13	D08	18	14
<b>A.R.</b> L80867.TM1001PIN	67	24	32	11	21,5	21	16	D10	18	25

**A.R.** = Only by request.

Presumable presence in the stock in %

(☺) 90% (☹) 40% (⊖) 5% (⊕)

www.boteco.it - © All right reserved - BOTECO®

Any unauthorized reproduction is strictly forbidden

