

# M128

# GEAR STICK HANDLE



**Material:**

Reinforced polyamide.  
Oils and greases resistant.

**Surface:**

Satin.

**Colour:**

Black (RAL 9011).

**Hole:**

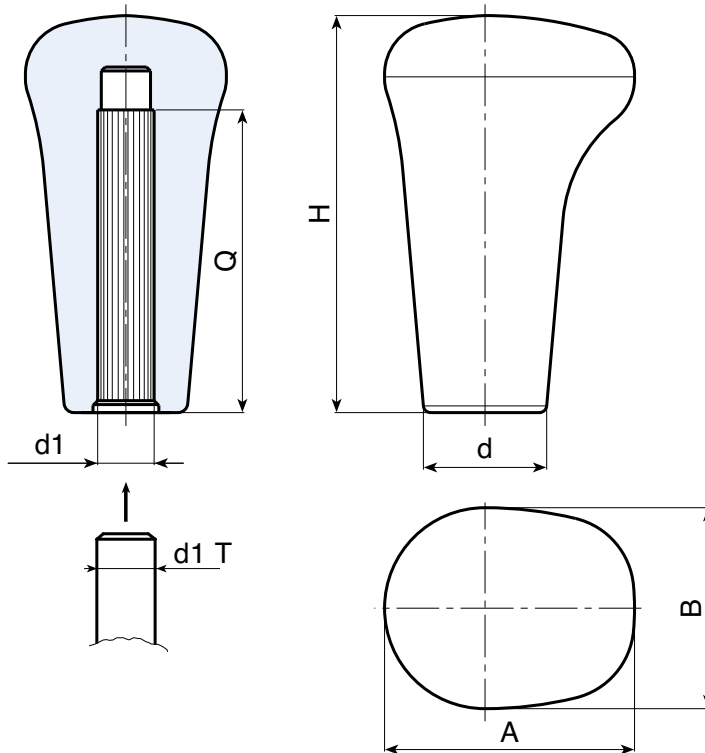
Female smooth hole, with special deformable fixing ribs, obtained by moulding the plastic.

**Fixing:**

Push fit.

**SPECIAL REQUEST:**

- It is possible to supply the handle with d1 diameter by customer design, on request and for quantities.
- It is possible to supply colours as shown in the table at pag. M-27, on request and for quantities.  
**ATTENTION: Reduced colour range.**



art.	H	A	B	d	d1 T	d1	Q	g
M12880.TG1201	80	50	40	26	+0 -0,058	10	58	64
M12880.TG1401	80	50	40	26	+0 -0,070	12	62	62
M12880.TG1601	80	50	40	26	+0 -0,070	14	60	59

