

M139



PA6
+GF

UL94
HB



HANDLE WITH SMOOTH RIGHT THROUGH HOLE

Material:

Reinforced polyamide.
Oils and greases resistant.

Surface:

Satin.

Colour:

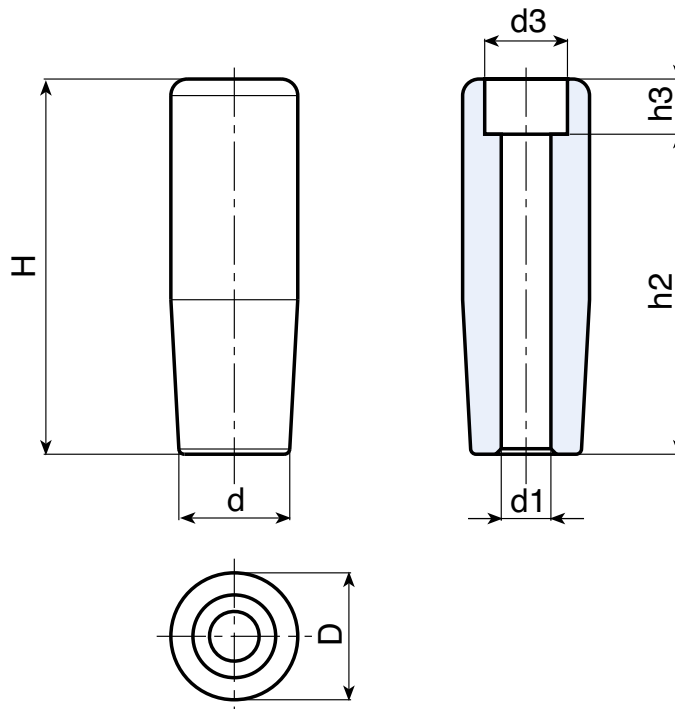
Black (RAL 9011).

Hole:

Smooth right through hole obtained by moulding
the plastic (tolerance in not applicable).

SPECIAL REQUEST:

- It is possible to supply colours as shown in the
table at pag. M-27, on request and for quantities.



art.	H	D	d	h2	h3	d1	d3	Δ g
M13950.TG06,501	49	20	15	42,5	6,5	6,5	11	13
M13950.TG08,501	49	20	15	42,5	6,5	8,5	11	10
M13960.TG06,501	59	21	19	51	8	6,5	12	23
M13960.TG08,501	59	21	19	49	10	8,5	14	20
M13970.TG08,501	68	23	20	57,5	10,5	8,5	14	28
M13970.TG10,501	68	23	20	56	12	10,5	17	25
M13980.TG10,501	79	25	22	67	12	10,5	17	38
M13990.TG08,501	90	28	22,5	80,5	9,5	8,5	14	46
M13990.TG12,501	90	28	22,5	76	14	12,5	19	42

**M - TAPERED AND
REVOLVING HANDLES**

ver. MUK.17-0913



BOTECA

M - 4

Presumable presence in the stock in %

(☺) 90% (☹) 40% (⊖) 5% (⊕)

www.boteco.it - © All right reserved - BOTECA®
Any unauthorized reproduction is strictly forbidden