

# M146

## HANDLE WITH SELF-FIX HOLE



PA6  
+GF

UL94  
HB



### Material:

Reinforced polyamide.  
Oils and greases resistant.

### Surface:

Satin.

### Colour:

Black (RAL 9011).

### Hole:

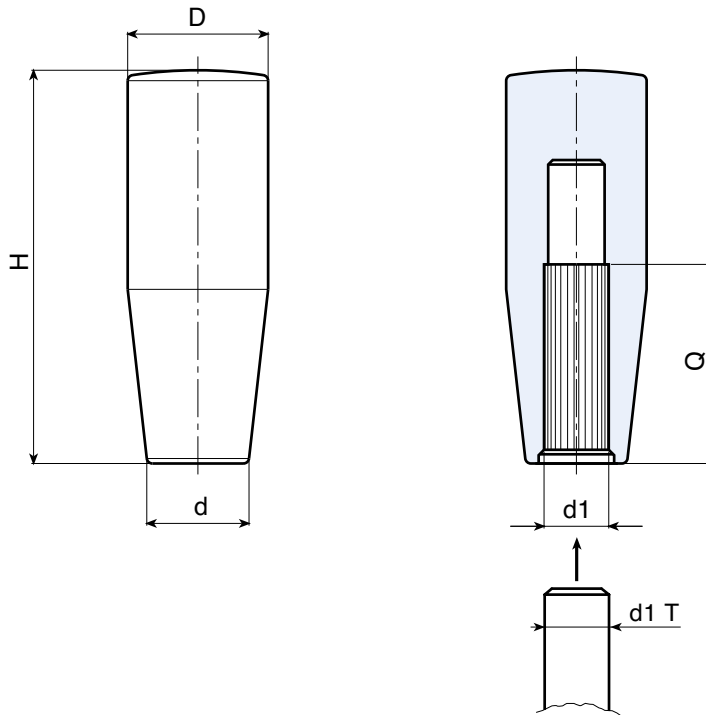
Female smooth hole, with special deformable fixing ribs, obtained by moulding the plastic.

### Fixing:

Push fit.

### SPECIAL REQUEST:

- It is possible to supply colours as shown in the table at pag. M-27, on request and for quantities.



art.	D	H	d	d1 T	d1	Q	g
M14650.TG0801	50	20	15	+0 -0,058	08	38	14
M14650.TG1001	50	20	15	+0 -0,058	10	38	12
M14660.TG0801	60	23	17	+0 -0,058	08	50	24
M14660.TG1001	60	23	17	+0 -0,058	10	50	20
M14660.TG1201	60	23	17	+0 -0,070	12	50	20
M14670.TG0801	70	25	19	+0 -0,058	08	50	32
M14670.TG1001	70	25	19	+0 -0,058	10	54	30
M14670.TG1201	70	25	19	+0 -0,070	12	54	28
M14680.TG1001	80	26	21	+0 -0,058	10	54	40
M14680.TG1201	80	26	21	+0 -0,070	12	54	38
M14680.TG1401	80	26	21	+0 -0,070	14	50	34
M14690.TG1201	91	27	22,5	+0 -0,070	12	54	46
M14690.TG1401	91	27	22,5	+0 -0,070	14	71	42