

# M202



PA6  
+GF

UL94  
HB



## "EUROMODEL" REVOLVING HANDLE WITH SCREW AND BUSH ADAPTER

### Material:

Reinforced polyamide. Oils and greases resistant.

### Surface:

Satin.

### Colour:

Black (RAL 9011).

### Central Cap:

(1) Grey polyamide (RAL 7035 cod. 13).

### Alternative Cap Colour:

Orange (RAL 2004 cod. 02)

Blue (RAL 5015 cod. 07)

Yellow (RAL 1021 cod. 10)

Red (RAL 3000 cod. 16)

Green (RAL 6024 cod. 17)

Black (RAL 9011 cod. 01)



### Inserts:

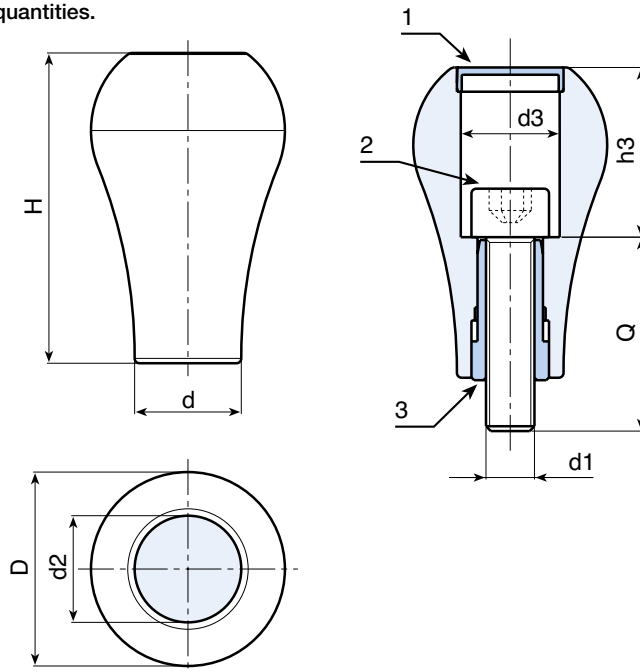
(2) Zinc-plated steel screw DIN 912/UNI 5931.

(3) Zinc plated steel adapter bush with through-hole.

**CAUTION:** The handle is delivered unassembled and packaged separately.

### SPECIAL REQUEST:

- It is possible to supply inserts in different lengths or by special design, on request and for quantities.
- It is possible to supply inserts in different materials, on request and for quantities.
- It is possible to supply colours as shown in the table at pag. M-27, on request and for quantities.



art.	H	D	d	d2	d3	h3	d1 6g	Q	△ g
M20264.TM0801	64	40	22,5	22	20,5	34,5	M08	40	95
M20264.TM1001	64	40	22,5	22	20,5	34,5	M10	40	95