

M336

FULL STEEL REVOLVING, FOLDING HANDLE



AVP

AISI
303



Materials:

M336:

Free-cutting steel.

M336CIN:

Stainless steel (Aisi 303).

Surface finish:

M336:

Fine turned, standard blue galvanising.

M336CIN:

Fine turned, natural, untreated.

Inserts:

M336:

1) Galvanised steel revolving, folding threaded cross-head stud.

(2) Galvanised steel threaded nut DIN 934.

(3) Galvanised steel spring.

M336CIN:

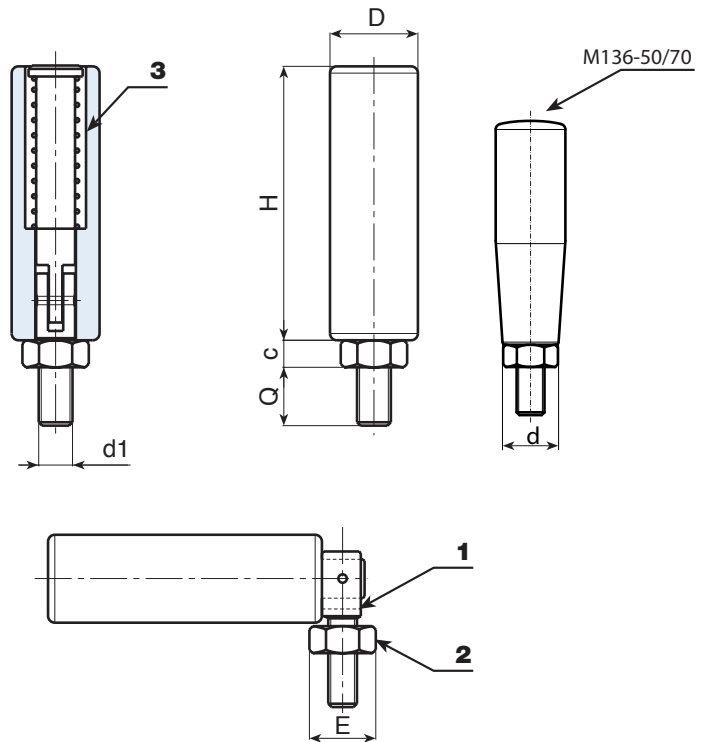
(1) Stainless steel (Aisi 303) revolving, folding threaded cross-head stud.

(2) Stainless steel (Aisi 304) threaded nut DIN 934.

(3) Stainless steel spring (Aisi 302).

Special requests:

- None.



Version M336: galvanised steel version.

art.	H	D	d	E	c	d1 _{6g}	Q	F1 (N)
M33650.VZM06X09	49	20	15	10	5	M6	9	270
M33670.VZM08X10	69	25	19	13	6.5	M8	10	840
M33682.VZM10X15	81	26	-	17	8	M10	15	1700
M33690.VZM10X15	89	26	-	17	8	M10	15	2700

Version M336CIN: stainless steel version.

art.	H	D	d	E	c	d1 _{6g}	Q	F1 (N)
M33650.INM06X09CIN	49	20	15	10	5	M6	9	270
M33670.INM08X10CIN	69	25	19	13	6.5	M8	10	840
M33682.INM10X15CIN	81	26	-	17	8	M10	15	1700
M33690.INM10X15CIN	89	26	-	17	8	M10	15	2700

INOX