

CONTROL KNOB WITH CAP AND FEMALE THREADED INSERT

N241



Material:

Reinforced and polyamide.
Oils and greases resistant.

Surface:

Satin.

Colour:

Black (RAL 9011).

Central Cap:

Grey polyamide (RAL 7035 cod. 13).

Alternative Cap Colour:

- Orange (RAL 2004 cod. 02)
- Blue (RAL 5015 cod. 07)
- Yellow (RAL 1021 cod. 10)
- Red (RAL 3000 cod. 16)
- Green (RAL 6024 cod. 17)
- Black (RAL 9011 cod. 01)

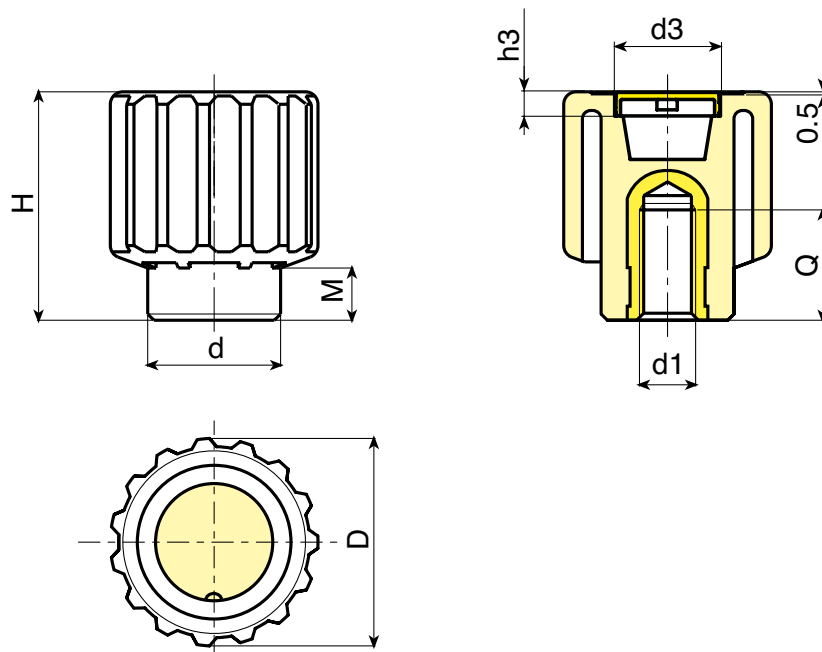
Main Insert:

Brass insert with smooth blind hole (H11 tolerance).

(*) Zinc plated steel insert with smooth blind hole (H11 tolerance).

SPECIAL REQUESTS:

- It's possible to supply the inserts in different material and treatment-finishes, on request and for quantities.
- It's possible to supply the products with colours as shown in the table at page N-19, on request and for quantities.



🏭	Art.	D	H	M	d	d3	h3	d1 6H	Q	⚖️ g
😊	N24150.TM0801	49	55	13	32	34	5	M08	20	72
😊	N24150.TM1001	49	55	13	32	34	5	M10	18	72
😊	N24150.TM1201	49	55	13	32	34	5	M12	18	73
😞	N24150.TM1401	49	55	13	32	34	5	M14	18	74
😞	N24150.TM1601	49	55	13	32	34	5	M16 (*)	18	77

Presumable presence in the stock in %

(🏭) 90% (😊) 40% (😞) 5% (😞)

BOTECO® - © All right reserved - www.boteco.it

Any unauthorized reproduction is strictly forbidden



BOTECO

**N
CONTROL KNOBS**