

N742



PA6
+GF

UL94
HB



KNURLED CONTROL KNOB WITH SMOOTH BORED INSERT

Material:

Reinforced and polyamide.
Oils and greases resistant.

Surface:

Satin.

Colour:

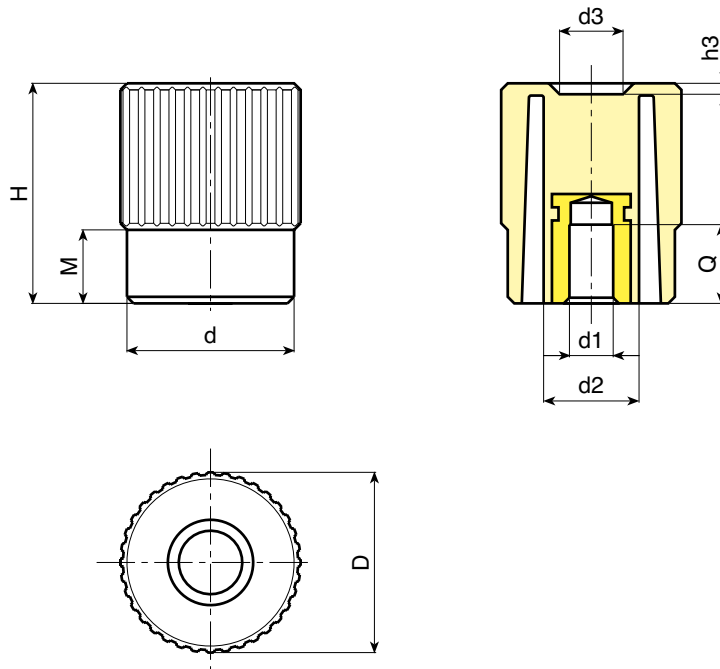
Black (RAL 9011).

Main Insert:

Zinc plated steel insert with smooth through-hole (H11 tolerance).

SPECIAL REQUESTS:

- It's possible to supply the inserts with d1 bore by customer design, on request and for quantities.
- It's possible to supply the inserts in different material and treatment-finishes, on request and for quantities.
- It's possible to supply the products with colours (reduced range) as shown in the table at page N-19, on request and for quantities.



	Art.	D	H	M	d	d2	d3	h3	Dm	d1 H11	Q	g
☺	N74240.TD0601	41	51	16,5	38	22	14,5	2	12	06	20	90
☺	N74240.TD1001	41	51	16,5	38	22	14,5	2	12	10	20	80

Attention: bore d1 (H11 tolerance) could be produced by request, with 200 pieces minimum.

Dm = It's possible to increase the hole, by boring, until Dm (enlarge).

N
CONTROL KNOBS

ver. NUK.10-1212



BOTECA

N - 8

Presumable presence in the stock in %

(☺) 90% (☹) 40% (⊖) 5%

www.boteco.it - © All right reserved - BOTECA®
Any unauthorized reproduction is strictly forbidden