

4 LOBE CONTROL KNOB WITH FEMALE THREADED INSERT

N775



Material:

Reinforced and polyamide.
Oils and greases resistant.

Surface:

Satin.

Colour:

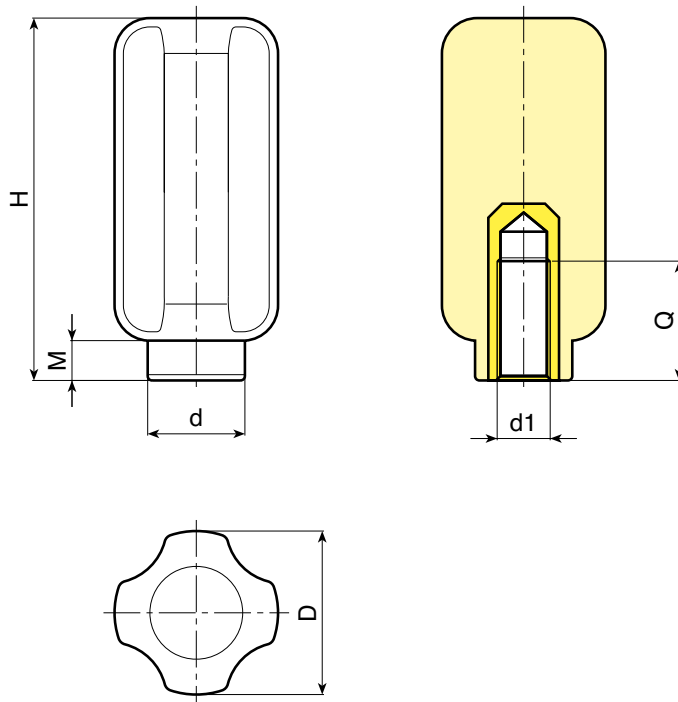
Black (RAL 9011).

Main Insert:

Zinc plated steel blind threaded bush.
(tolerance 6H).

SPECIAL REQUESTS:

- It is possible to supply the inserts in different materials, on request and for quantities.



	Art.	D	H	M	d	d1 6H	Q	⚖ g
	N77538.TM0801	37	81	9	22	M08	20	94
	N77538.TM1001	37	81	9	22	M10	20	128
	N77538.TM1201	37	81	9	22	M12	27	120
	N77538.TM1401	37	81	9	22	M14	27	116
	N77538.TM1601	37	81	9	22	M16	16	110

Presumable presence in the stock in %

(🏭) 90% (😊) 40% (😐) 5% (😞)

BOTECO® - © All right reserved - www.boteco.it
Any unauthorized reproduction is strictly forbidden



BOTECO