

HINGE WITH PLASTIC RIGHT THROUGH HOLES AND STAINLESS STEEL PIN

O401



PA6
+GF

UL94
HB



INOX

Material:

Reinforced polyamide.
Oils and greases resistant.

Surface:

Satin.

Colour:

Black (RAL 9011).

Insert:

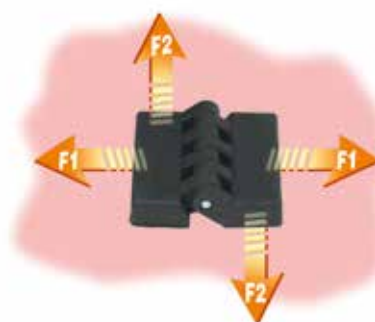
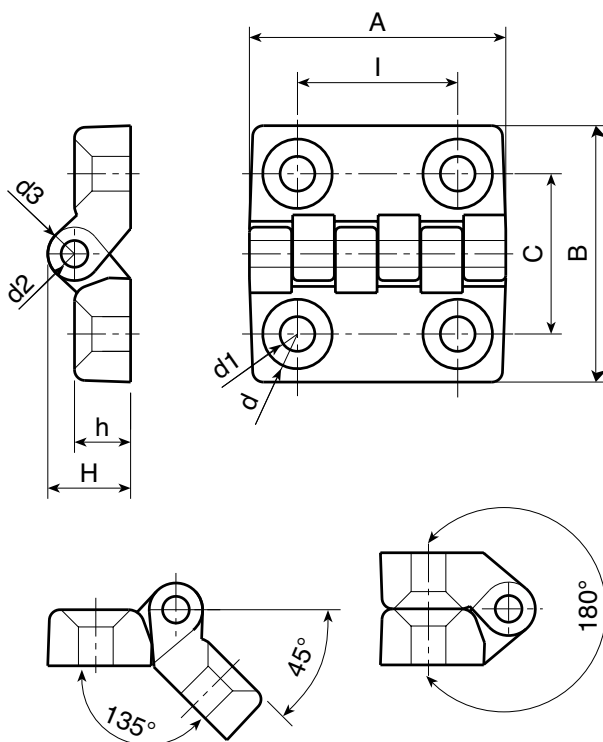
Stainless steel pin (AISI 303).

Hole:

Right through smooth hole obtained by moulding the plastic. Seat for countersunk screws DIN 7991 or UNI 5993.

SPECIAL REQUEST:

- It is possible to supply colours as shown in the table at pag. O-19, on request and for quantities.



art.	I	C	A	B	h	H	d	d2	d3	d1	g	F1 (N)	F2 (N)
O40120.TG04,501	20	20	32	32	7	10,5	8	3	7	4,5	9	1440	490
O40130.TG06,501	30	30	48	48	10,5	15,5	13	5	10	6,5	27	1960	1470
O40140.TG06,501	40	40	64	64	13	19	13	5	12	6,5	53	2850	1520
O40160.TG08,501	60	63	96	96	16	24	16	8	16	8,5	152	4300	1810
O40160.TG10,501	60	63	96	96	16	24	20	8	16	10,5	152	4300	1810

Presumable presence in the stock in %

90% 40% 5% 5%

BOTECO® - © All right reserved - www.boteco.it

Any unauthorized reproduction is strictly forbidden



BOTECO